

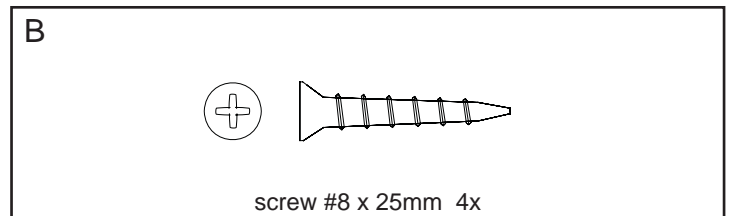
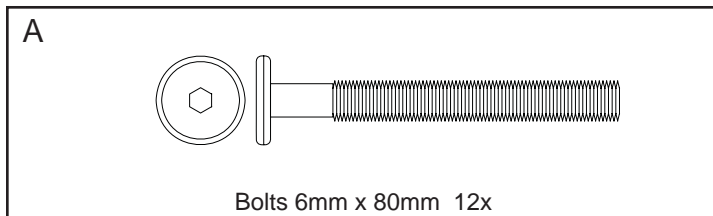
! Tools required:

! Do not throw away packaging materials until assembly is complete.

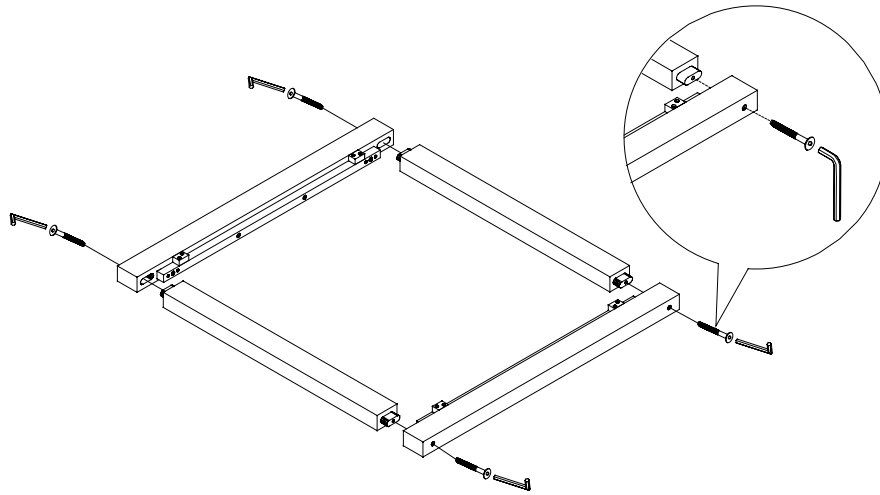
! Assemble this item on a soft surface, such as cardboard or carpet, to protect finish.

! Proper assembly of this item requires 2 people.

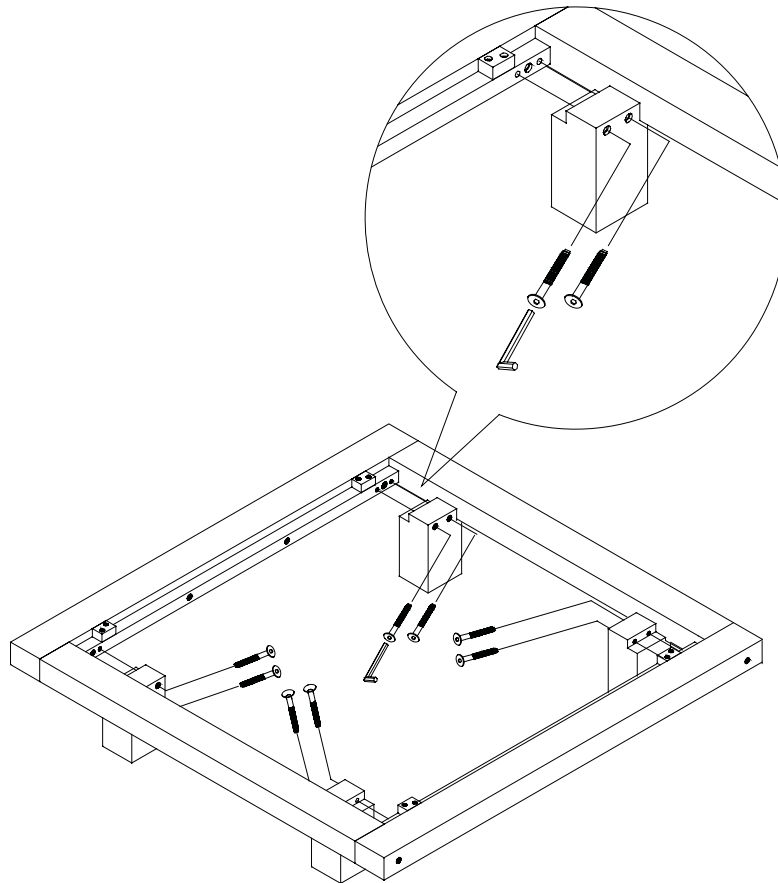
Hardware



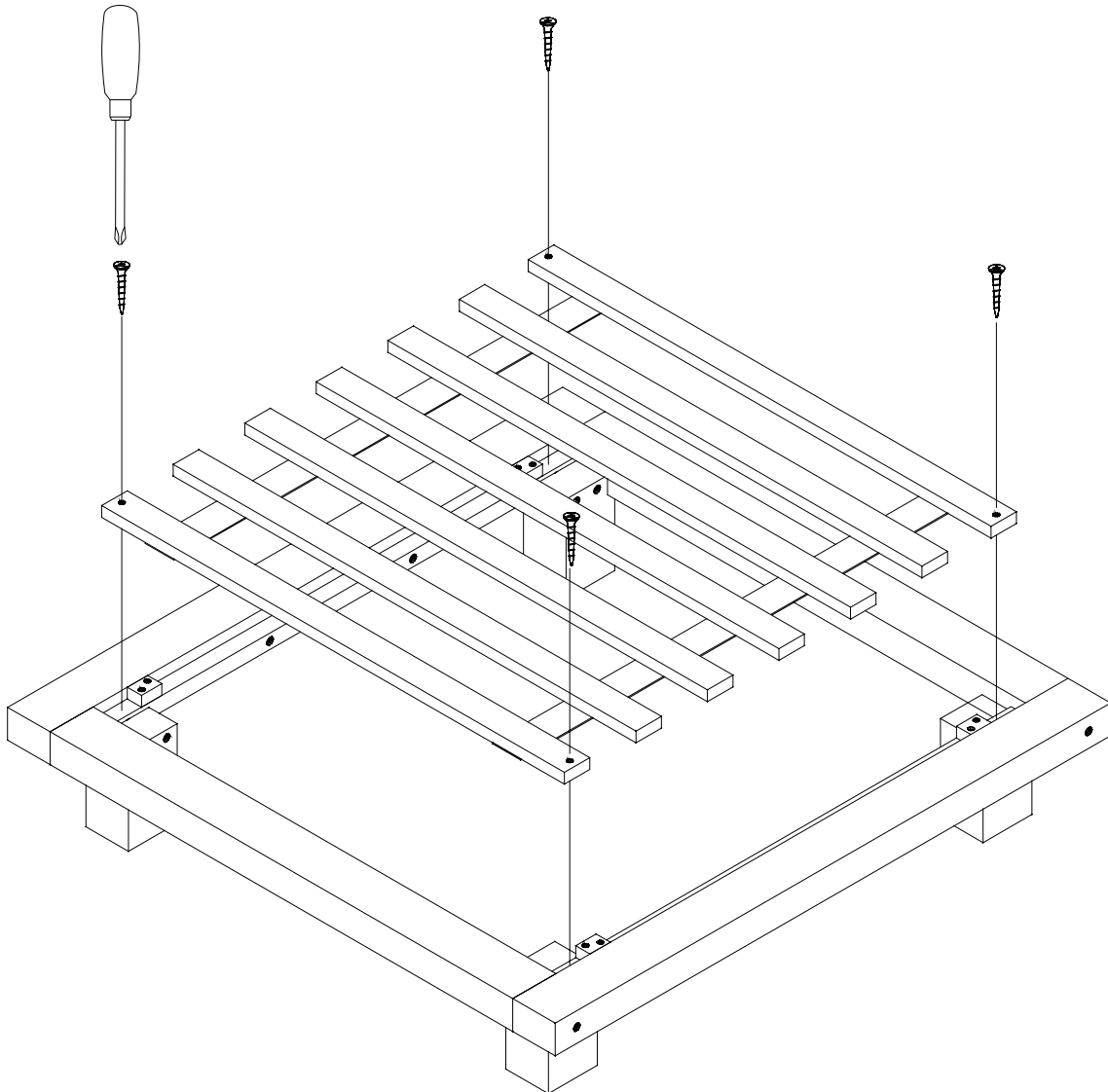
1. Fasten frame together using bolts (A) as shown. Tighten bolts using allen key.



2. Fasten corner legs to frame using bolts (A) as shown. Tighten bolts using allen key.



3. Fasten slats to frame using screws (B) as shown. Tighten screws using a phillips screwdriver.



CARE INSTRUCTIONS

Hardware may loosen overtime. Periodically check that all connections are tight.

Wipe with a soft, dry cloth. To protect finish, avoid the use of chemicals and household cleaners.