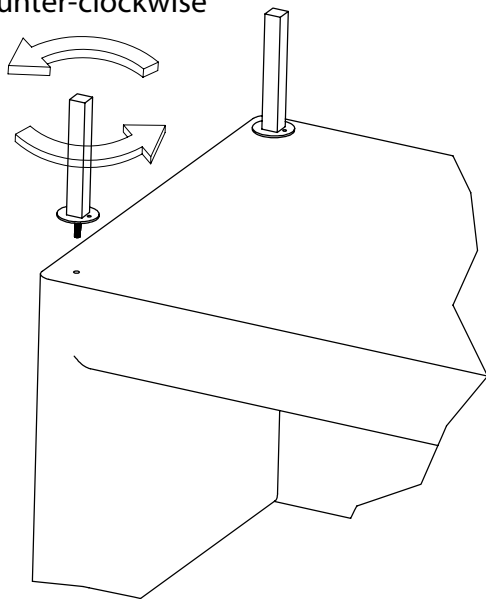


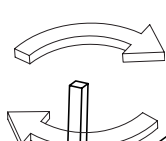
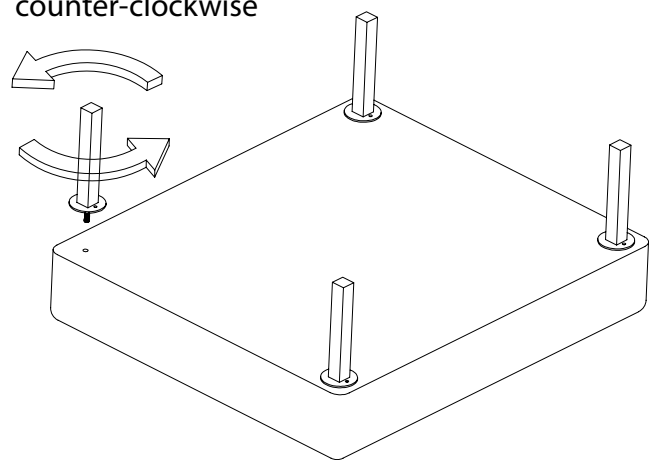
The jackson sectional legs must be replaced with the new improved legs.

1. With help flip the sofa and the ottoman over onto a clean smooth surface such as carpet or cardboard. Unscrew each old leg by twisting it counter-clockwise until the legs are completely removed. Once you have removed all 8 legs you will need to install the new legs. Align each leg with the holes in the bottom of the sofa and ottoman. Twist the leg clockwise to install. Do not overtighten! With help flip the sofa over up right, being careful not to lean the sofa on the legs when flipping over. Re-align ottoman and place cushions.

Remove  
counter-clockwise



Remove  
counter-clockwise



Install  
clockwise

