

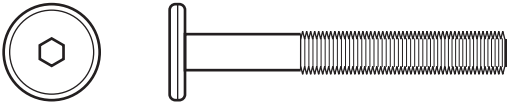


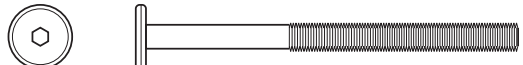
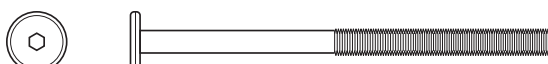
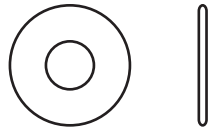

! Tools supplied:

! Do not throw away packaging materials until assembly is complete.

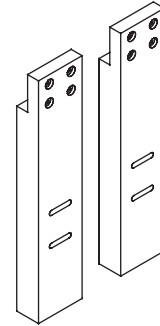
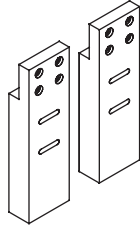
! Assemble this item on a soft surface, such as cardboard or carpet, to protect finish.

! Proper assembly of this item requires 2 people.

## Hardware

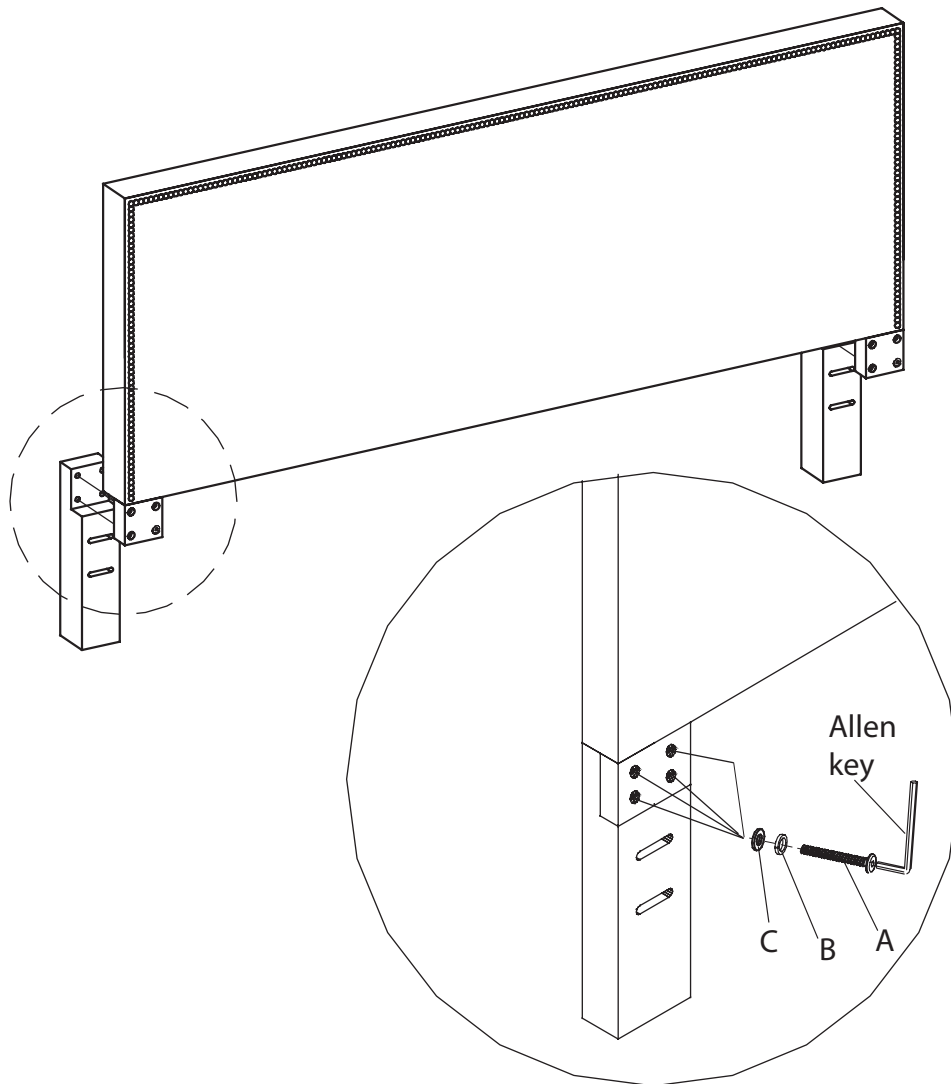
<p><b>A</b></p>  <p>bolt: 6mm x 55 mm long 8x</p>	<p><b>B</b></p>  <p>lock washer 16x</p>
<p><b>C</b></p>  <p>metal washer 6x13mm 12x</p>	<p><b>D</b></p>  <p>short bolt: 6mm x 70mm 4x</p>
<p><b>E</b></p>  <p>long bolt: 6mm x 90mm 4x</p>	<p><b>F</b></p>  <p>metal washer 6x18mm 4x</p>
<p><b>G</b></p>  <p>nut 4x</p>	

1. Choose the legs that match your bed frame.



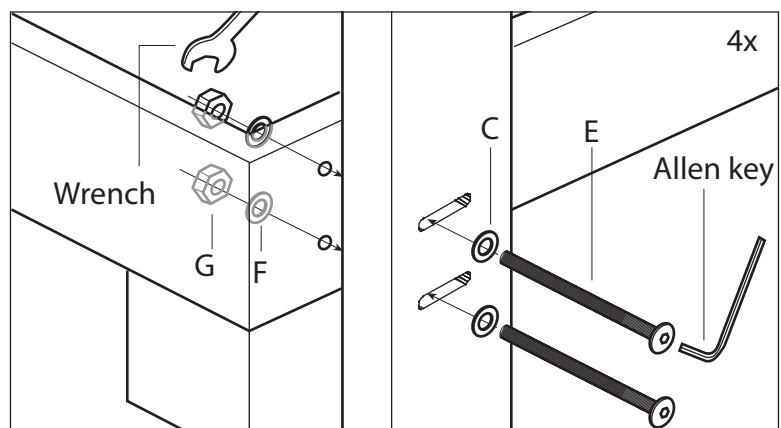
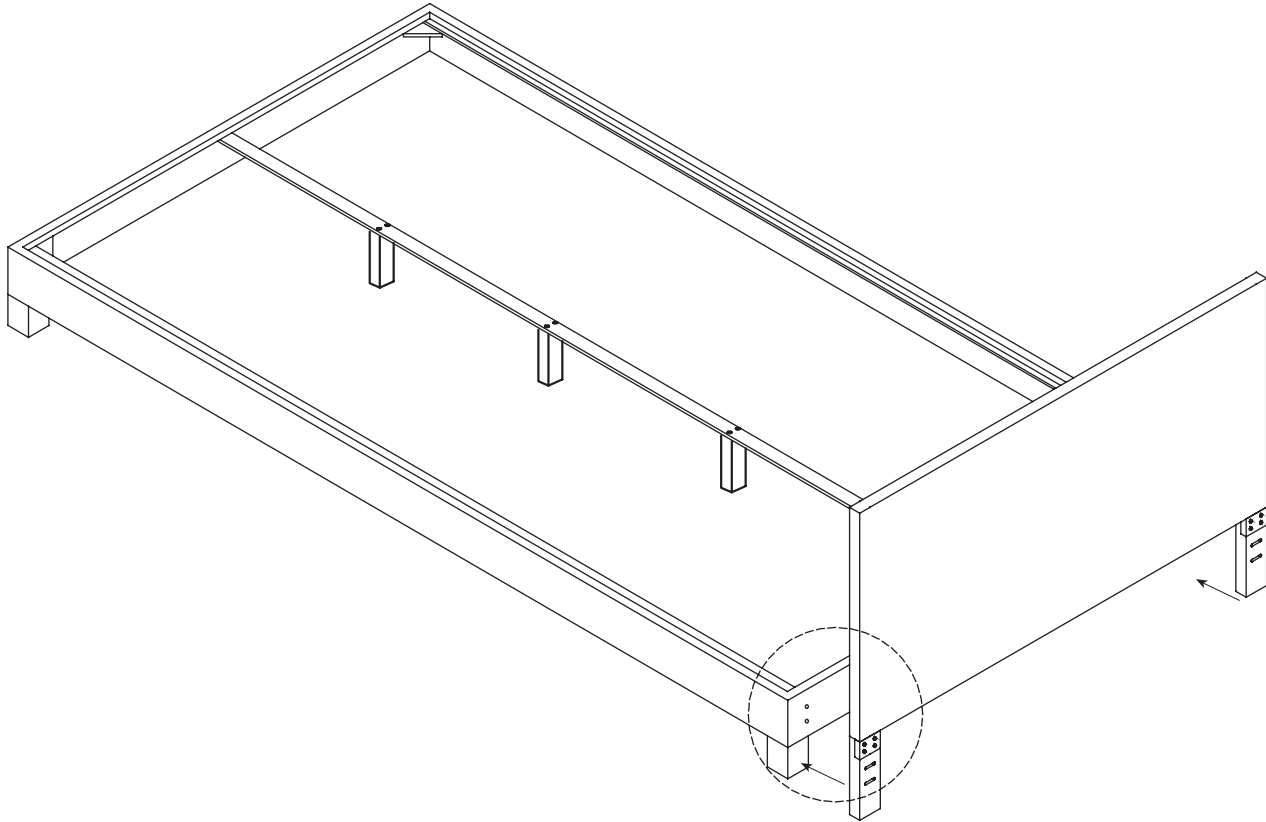
for bed frames with mattress only use short legs for bed frames with mattress and boxsprings use tall legs

2. Fasten legs to headboard using bolt (A), lock washer (B), flat washer (C), and cap nuts (D), in order as shown. Tighten with supplied allen key.



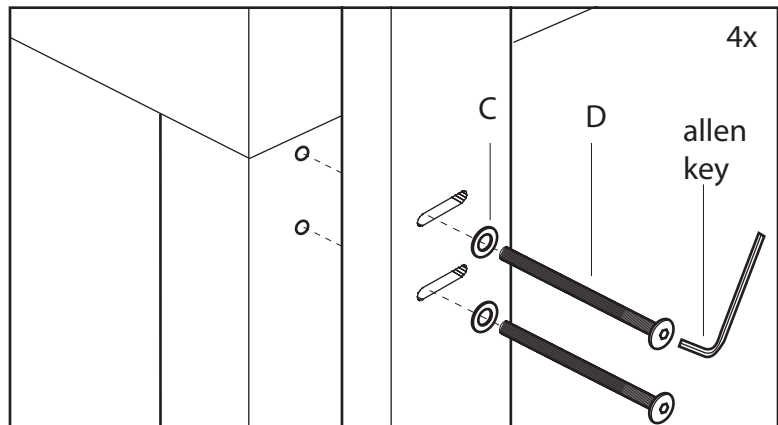
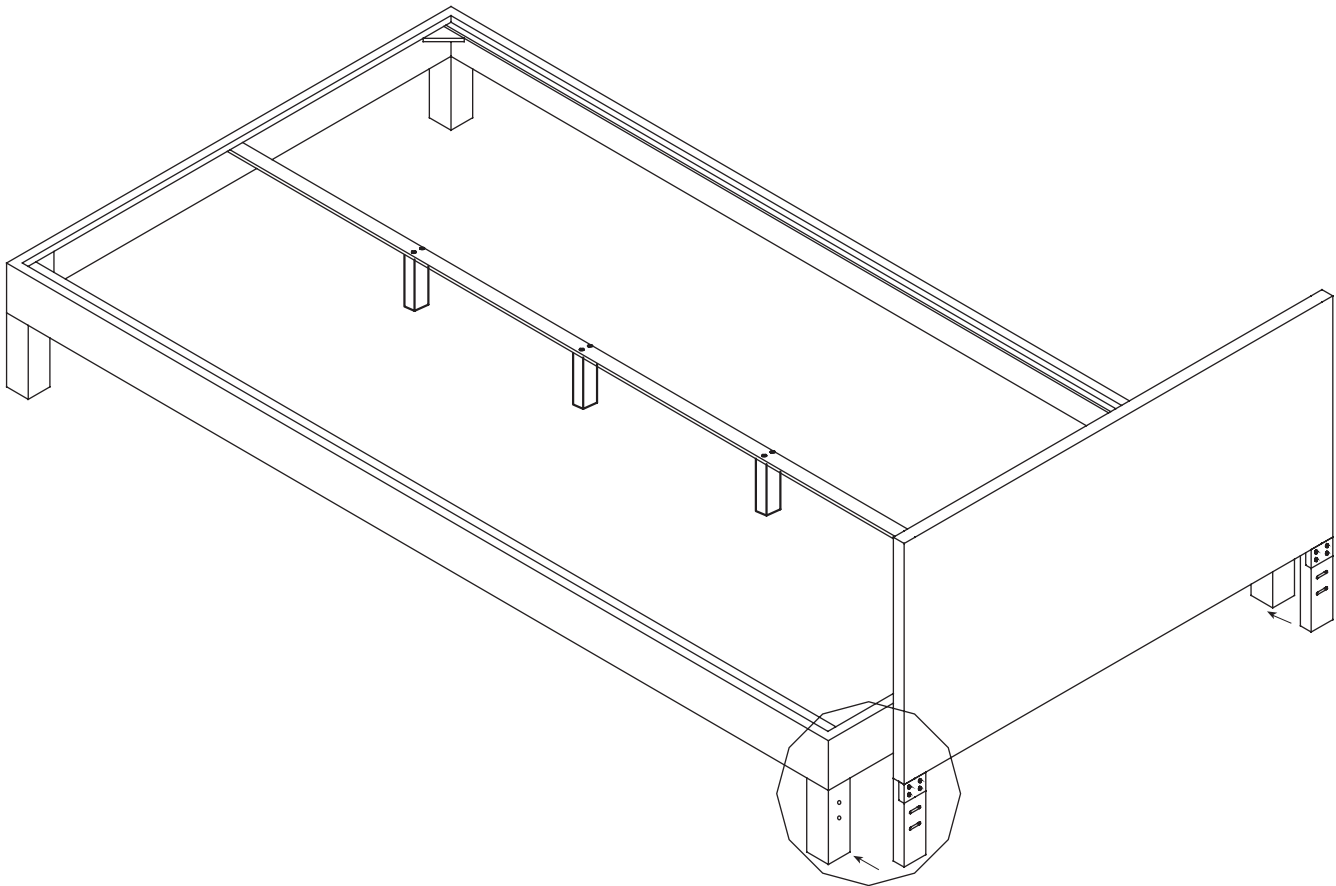
Attaching the headboard to the low wood frame.

1. Align hardware as shown and tighten with supplied tools.



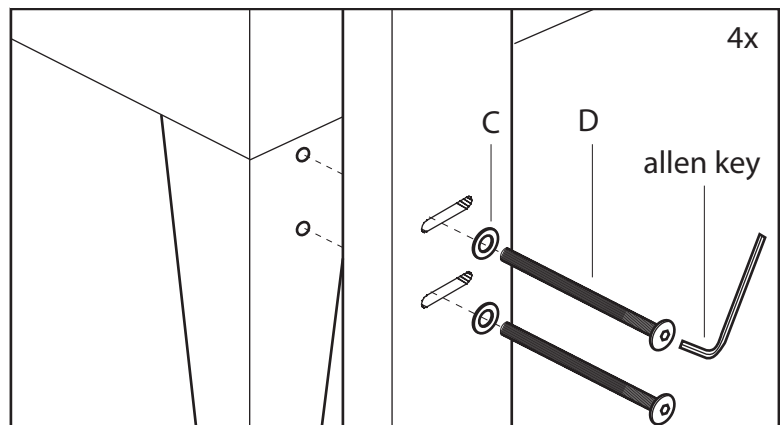
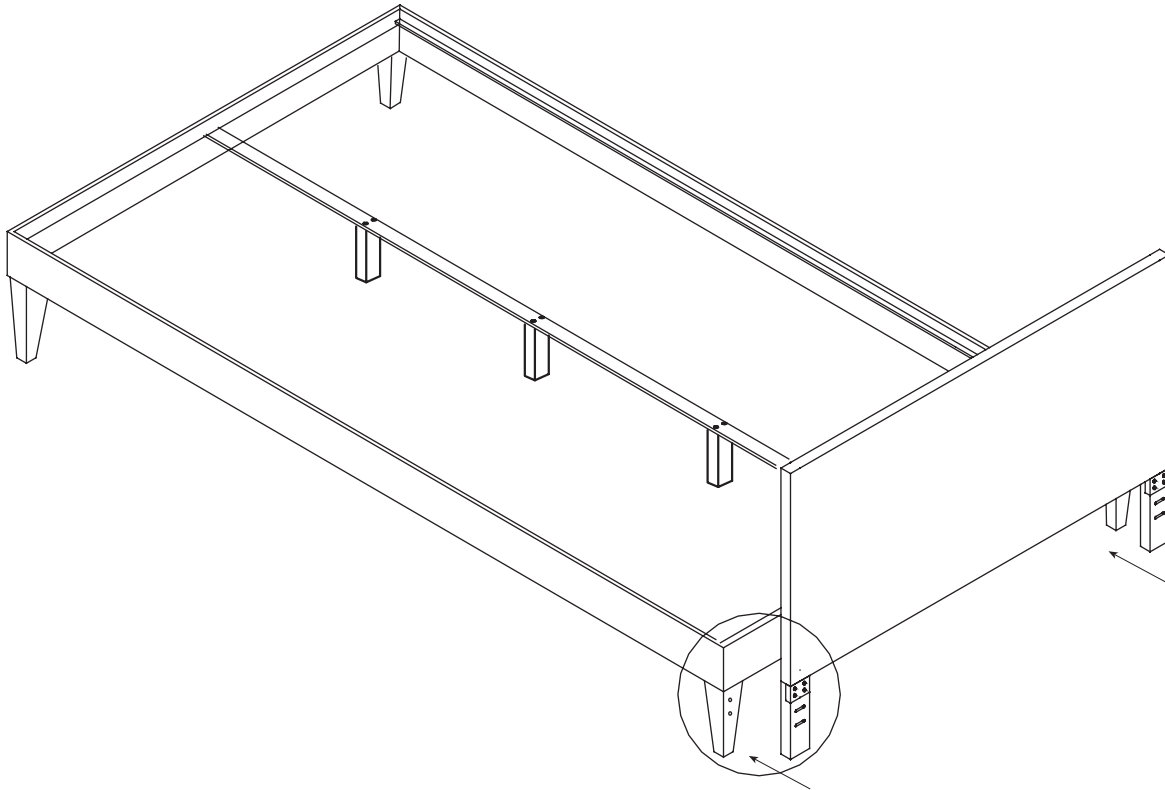
Attaching the headboard to the tall wood frame.

1. Align hardware as shown and tighten with supplied tools.



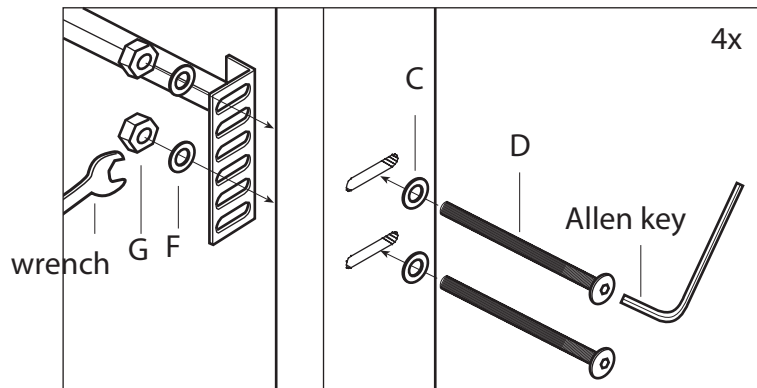
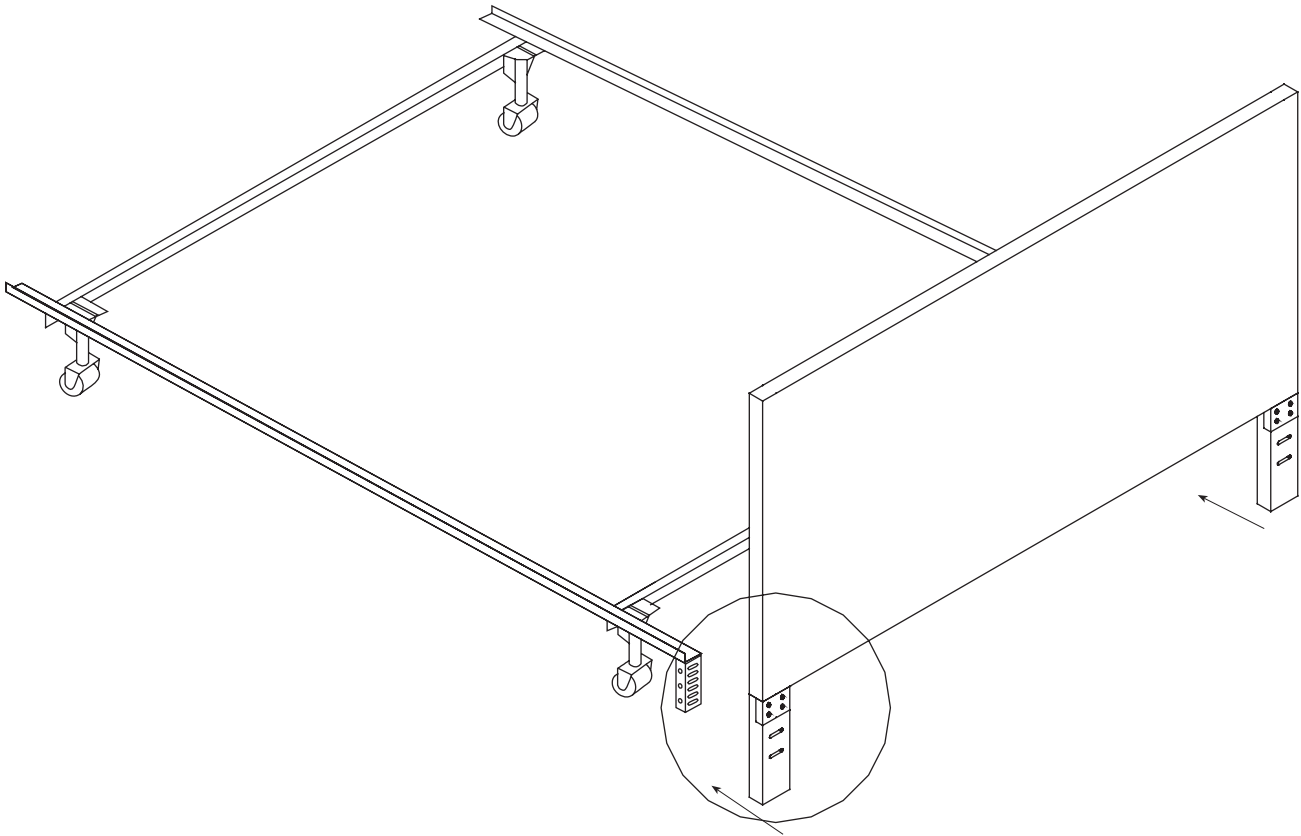
Attaching the headboard to the narrow leg frame.

1. Align hardware as shown and tighten with supplied tools.



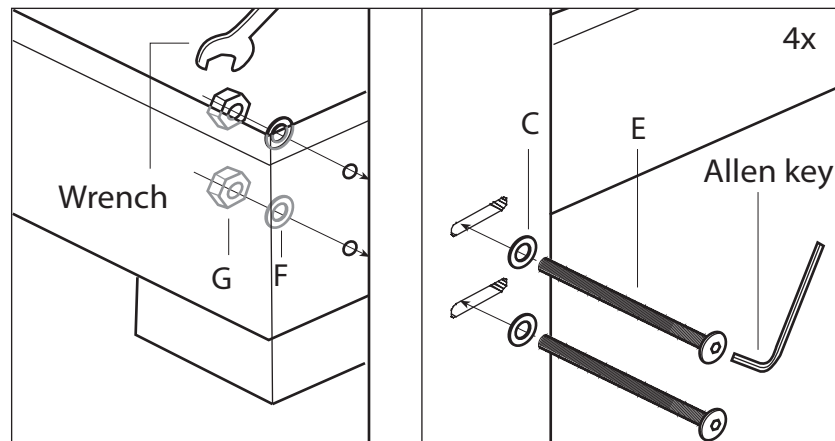
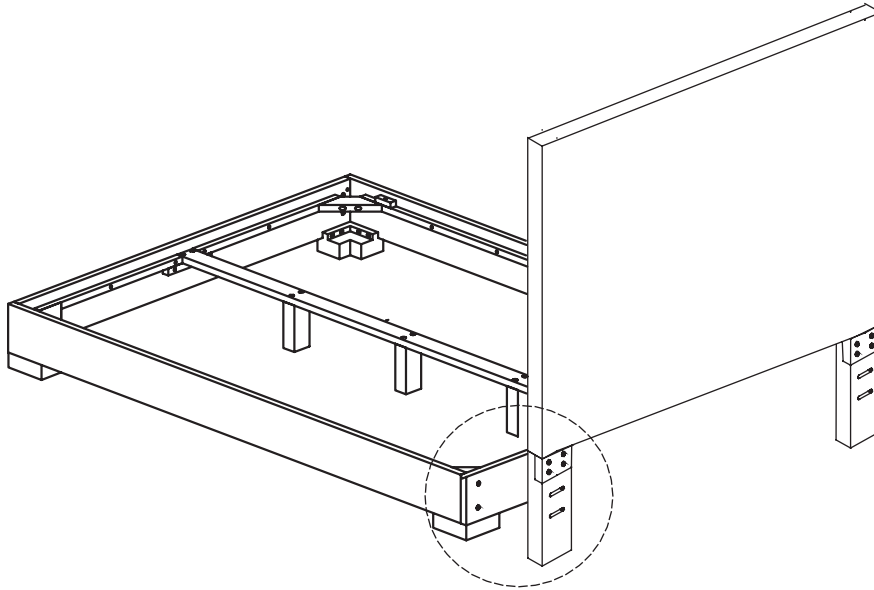
Attaching headboard to metal bed frame for boxspring and mattress.

1. Align hardware as shown and tighten with supplied tools.



Attaching the headboard to the nailhead upholstered bed frame.

1. Align hardware as shown and tighten with supplied tools.



#### CARE INSTRUCTIONS

Hardware may loosen overtime. Periodically check that all connections are tight.

Wipe with a soft, dry cloth. To protect finish, avoid the use of chemicals and household cleaners.