

Important Safety Instructions:

- These instructions are provided for your safety. It is very important that they are read carefully and completely before beginning the assembly and installation of this lighting fixture.
- LED BULBS ARE NON-REPLACEABLE.
- Unplug the transformer from the power outlet when the product is not in use.
- The lighting fixture is meant for indoor use.
- **Save these instructions.**

WARNING:

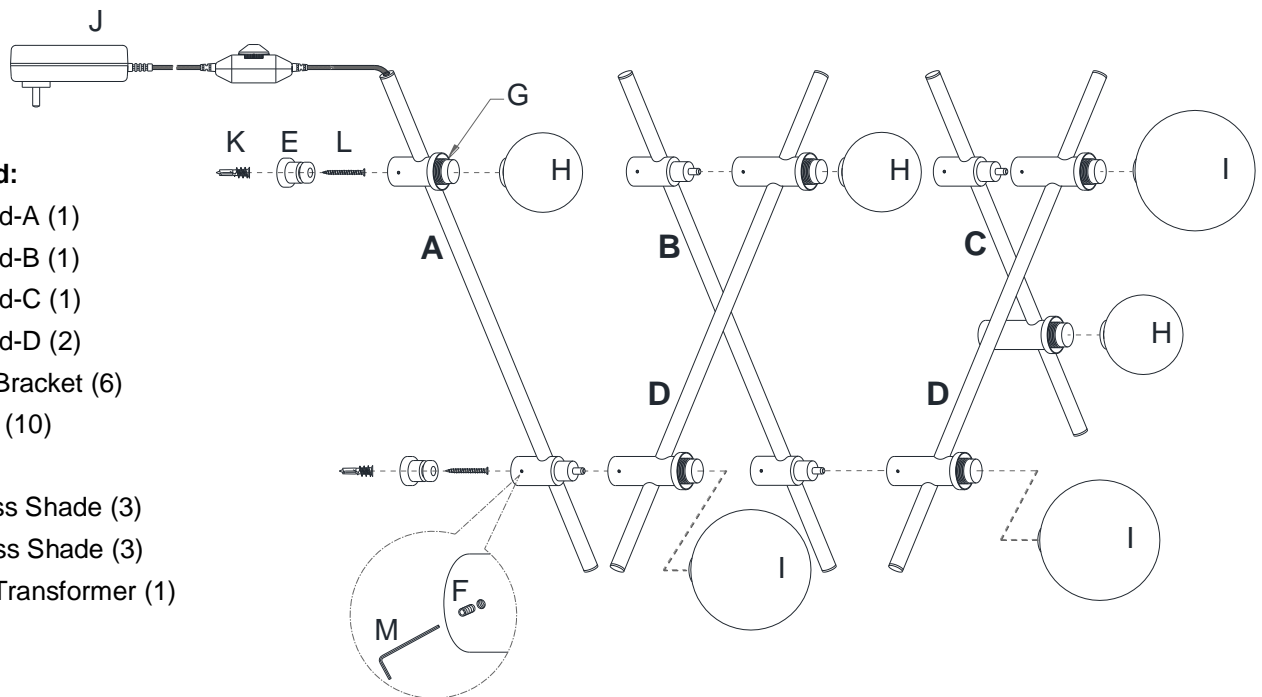
- **Do not touch LED's when fixture is turned on. Do not look directly at lit LED's.**
- **Keep flammable materials away from lit LED's.**

Pre-assembly:

- Remove all parts and hardware from box along with any plastic protective packaging.
- Do not discard any contents until after assembly is complete to avoid accidentally discarding small parts or hardware.
- For safety and ease of mounting, installation using two people is recommended.
- The diagrams shown below are reference towards about this fixture's mounting. You can adjust the fixture rods to your desired angles and orientations by using the steel template to determine the insertion points of mounting hardware.





Parts Included:

- (A) Fixture Rod-A (1)
- (B) Fixture Rod-B (1)
- (C) Fixture Rod-C (1)
- (D) Fixture Rod-D (2)
- (E) Mounting Bracket (6)
- (F) Set Screw (10)
- (G) Socket (6)
- (H) Small Glass Shade (3)
- (I) Large Glass Shade (3)
- (J) Plug with Transformer (1)



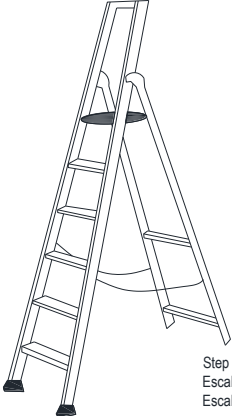
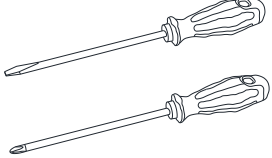

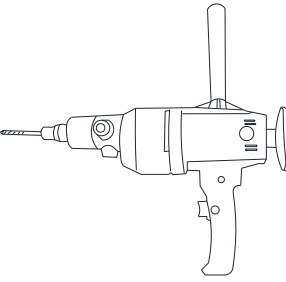
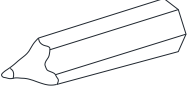
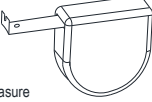
Hardware Enclosed:

- (K) Wall Anchor (6)
- (L) Mounting Screw (6)
- (M) Allen Wrench (1)

K  6 x	L  6 x	M  1 x
N  1 x		

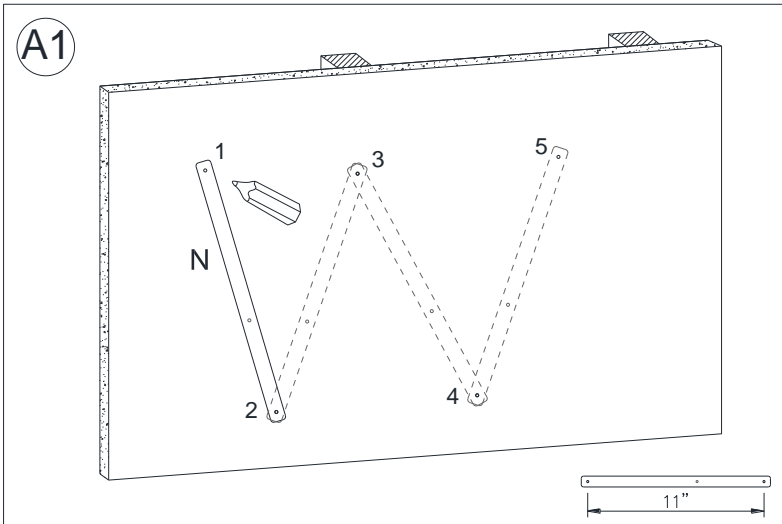
Tool for Mounting: (N) Steel Template (1)

Tools Required: (not included):

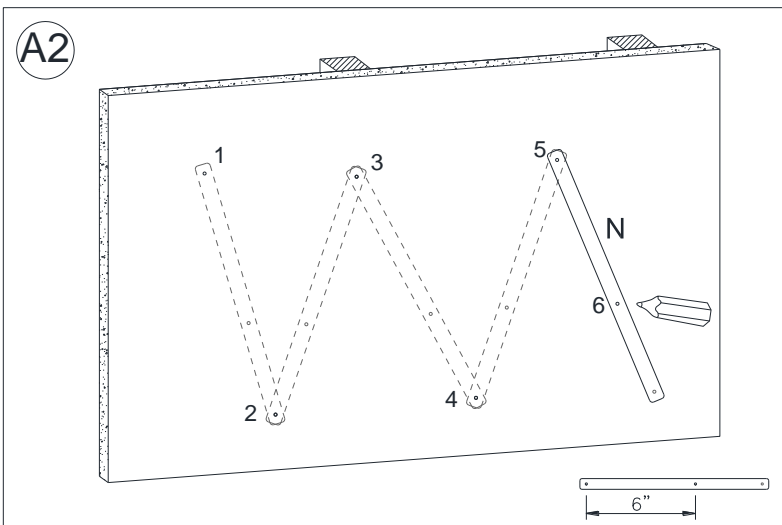
 <p>Step Ladder Escabeau Escalera</p>	 <p>Phillips Head, Flat Blade Screwdrivers Tournevis à tête Phillips et à tête plate Destornilladores Cabeza Phillips y Destornilladores Cabeza Plana</p>	 <p>Stud Finder Déecteur de montants Buscador de Viga</p>	 <p>Drill and Drill Bit Foret et Perceuse électrique Taladro y Mecha</p>
 <p>Pencil Crayon Lápiz</p>	 <p>Tape Measure Un mètre à ruban cinta métrica</p>		

Mounting Instructions:

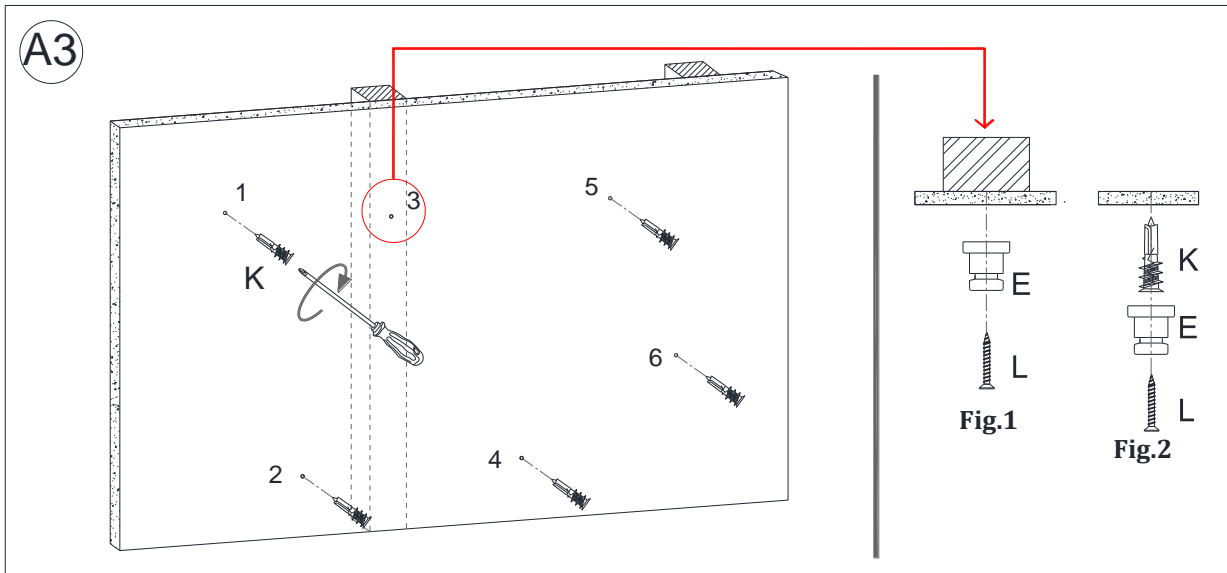
Noted: The provided mounting hardware is meant for dry wall/stud mounting only. If walls are concrete, brick or plaster, please consult your local hardware store for assistance. Use proper hardware for your wall type.



1. Place the Steel Template (N) against the wall at the desired mounting location. **MAKE SURE THAT THE POWER OUTLET IS REACHABLE BY THE CORD WITHOUT STRAINING THE CORD.** Using a pencil, mark the 1st and 2nd insertion point through the small holes of the template with 11" spaced. Rotate the steel template with your desired angle to mark the 3rd insertion point. Continue to mark the 4th, 5th points with the similar method as the diagram shown. **It's very critical that the marked distances must be very accurate and exactly match with the measurements in the steel template. Use a tape measure to double confirm that and make adjustment if needed.**

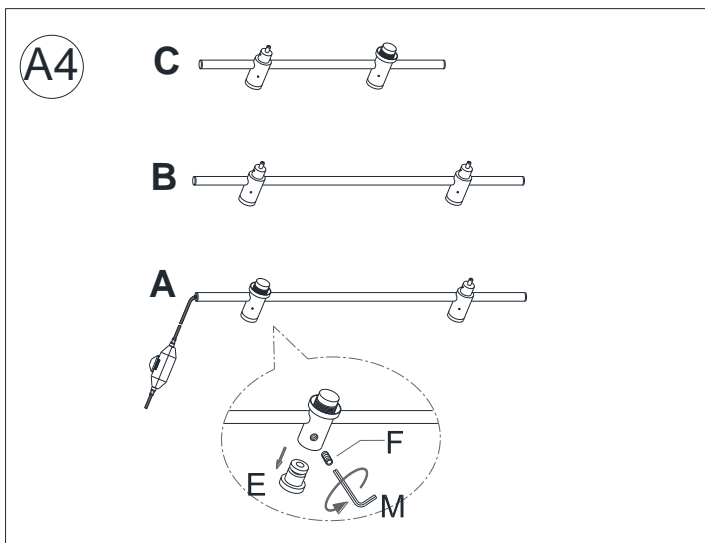


2. Mark the 6th insertion point on the wall through the middle hole of the Steel Template (N) that is 6" spaced from the 5th point.

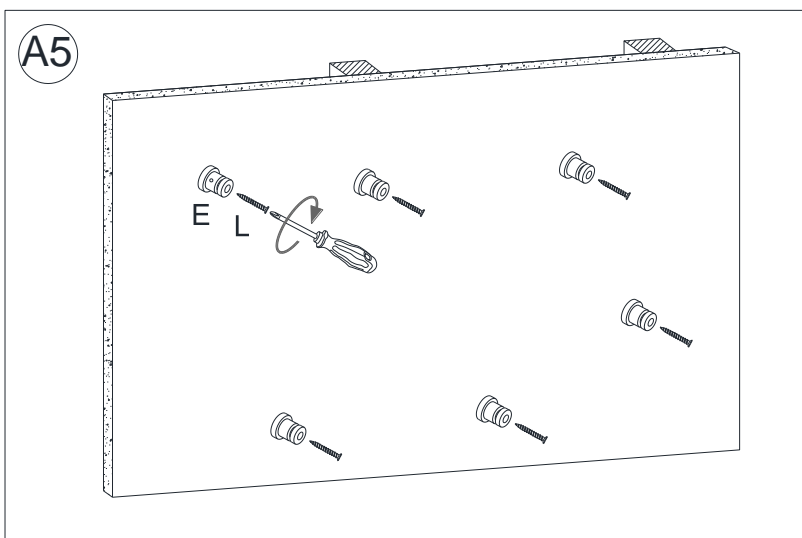


3. First, use a stud-finder to determine if any of the insertion marks aligns to wall stud. If the mark aligns with stud, only use provided Mounting Screw (L) to secure the Wall Bracket (E), see **Fig 1**. If there is no stud, the Wall Anchor (K) and Mounting Screw (L) are both required, see **Fig 2**.

Use a Phillips Screwdriver to insert the Wall Anchors (K) at the no stud marks, push and drive the wall anchors into the wall. Do not “pound” the drywall anchors directly into the wall, it is designed to bore into the wall like a drill bit. Slowly turn the Wall Anchors (K) clockwise while applying even pressure on it until the anchor’s flange is flush with the wall surface.

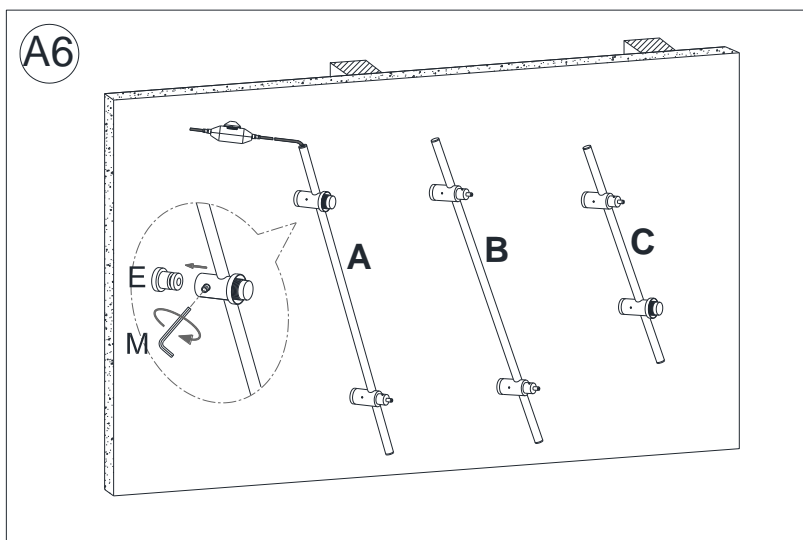


4. Use the Allen Wrench (M) to loosen the Set Screws (F) that located on the bottom of each Fixture Rod A/ B/ C, and then take out the Wall Brackets (E). Don't unscrew Set Screws (F) completely.

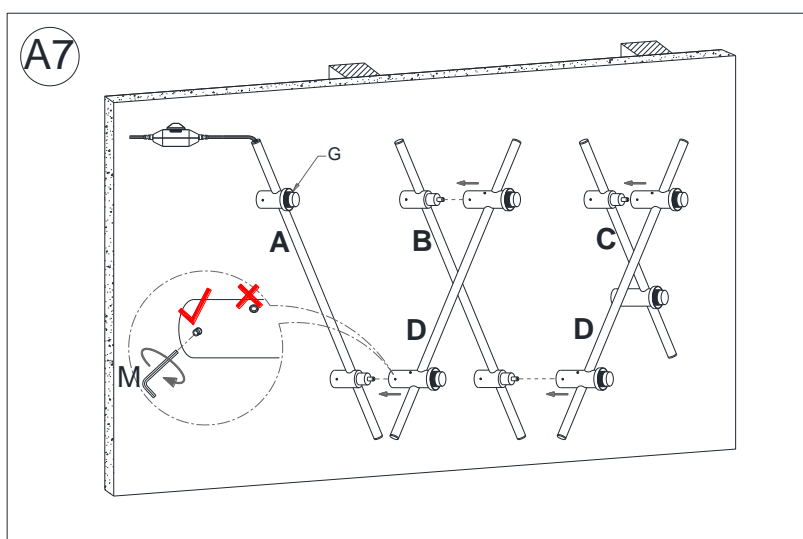


5. Put one Wall Bracket (E) against the wall aligning with installed wall anchor or wall stud. Use the Phillips screwdriver to secure the Mounting Screw (L) through the Wall Bracket (E) and rotate into the wall anchor/stud. Repeat above until all Wall Brackets (E) are secured on the wall. Before tightening the mounting screws, use a tape measure to confirm again the distances between the wall brackets.

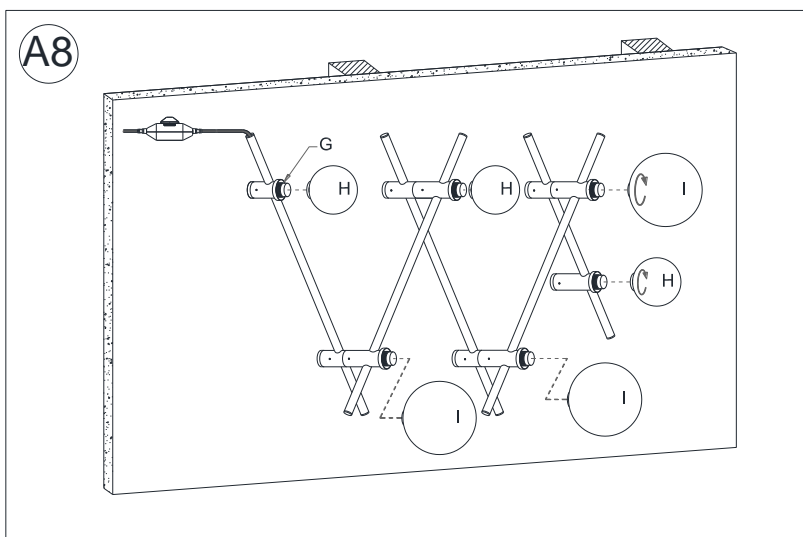
Install the Fixture onto the Wall:



6. Attach the Fixture Rod (A/ B/ C) onto each two Wall Brackets (E) as shown. Use the Allen Wrench (M) to tighten the Set Screws (F) on the bottoms of each fixture rod by rotating in a clockwise direction to secure the Fixture Rods on the wall.



7. Insert the bottom female plug ends of Fixture Rods (D) onto the top male plug ends of Fixture Rods (A/ B/ C) with cross connections as shown. Use the Allen Wrench (C) to tighten the Set Screws (F) (the lower ones, see the enlarged view of the diagram) on the bottom ends of Fixture Rods (D) to secure it in place.



8. Attach the Large Glass Shades (I) and Small Glass Shades (H) onto each Socket (G) by rotating clockwise. The sockets are all in the same size, so you can attach either Large Glass Shade (I) or Small Glass Shade (H) onto any position of these sockets as you wished.

Insert the plug into a proper power outlet and test the fixture. Assembly done!

FCC COMPLIANCE:

NOTE: This equipment has been tested and found to comply with the limits for a Class B digital device, pursuant to Part 15 of the FCC Rules. These limits are designed to provide reasonable protection against harmful interference in a residential installation. This equipment generates uses and can radiate radio frequency energy and, if not installed and used in accordance with the instructions, may cause harmful interference to radio communications. However, there is no guarantee that interference will not occur in a particular installation. If this equipment does cause harmful interference to radio or television reception, which can be determined by turning the equipment off and on, the user is encouraged to try to correct the interference by one or more of the following measures:

- Reorient or relocate the receiving antenna.
- Increase the separation between the equipment and receiver.
- Connect the equipment into an outlet on a circuit different from that to which the receiver is connected.
- Consult the dealer or an experienced radio/TV technician for help.

This device complies with Part 15 of the FCC Rules. Operation is subject to the following two conditions: (1) This device may not cause harmful interference, and (2) This device must accept any interference received, including interference that may cause undesired operation. Caution: changes or modifications not expressly approved by the party responsible for compliance could void the user's authority to operate the equipment.

IC COMPLIANCE:

This Class B digital apparatus complies with Canadian ICES-005.

Care Instructions:

- Wipe clean with a soft, dry cloth or static duster.
- Always avoid the use of harsh chemicals or abrasive cleaners as they may cause damage to the fixture's finishing.

Thank you for your purchase
Stores | catalog | www.westelm.com
USA 888-922-4119