

CAUTION:

- **BEFORE INSTALLING FIXTURE, MAKE SURE THE POWER TO THE CIRCUIT IS TURNED OFF AT THE MAIN FUSE BOX / CIRCUIT BREAKER UTILITY BOX.**

Important Safety Instructions:

- These instructions are provided for your safety. It is very important that they are read carefully and completely before beginning the assembly and installation of this lighting fixture.
- We strongly recommend that a professional electrician install all direct wire fixtures.
- THIS PRODUCT MUST BE INSTALLED IN ACCORDANCE WITH THE APPLICABLE INSTALLATION CODES BY A PERSON FAMILIAR WITH THE CONSTRUCTION AND OPERATION OF THE PRODUCT AND THE HAZARDS INVOLVED.
- It is suggested to replace damaged dimmer switch with the recommended models.

The Light Modulator We Recommend:

LUTRON: PD-6WCL; MACL-153M; DVELV-300P-WH; SELV-300P TG-600PR; S-600P

LEVITON: 6672; 6602; 6631

- The lighting fixture is meant for indoor use. It must be connected only to 3-wire, single-phase electrical supply systems (provided with Ground wire or equivalent protection system).
- For your safety, it is strongly recommended that two people install the lighting fixture.
- LED BULBS ARE NON-REPLACEABLE.
- The lighting fixture is meant for indoor use, DRY LOCATIONS ONLY.
- **Save these instructions.**

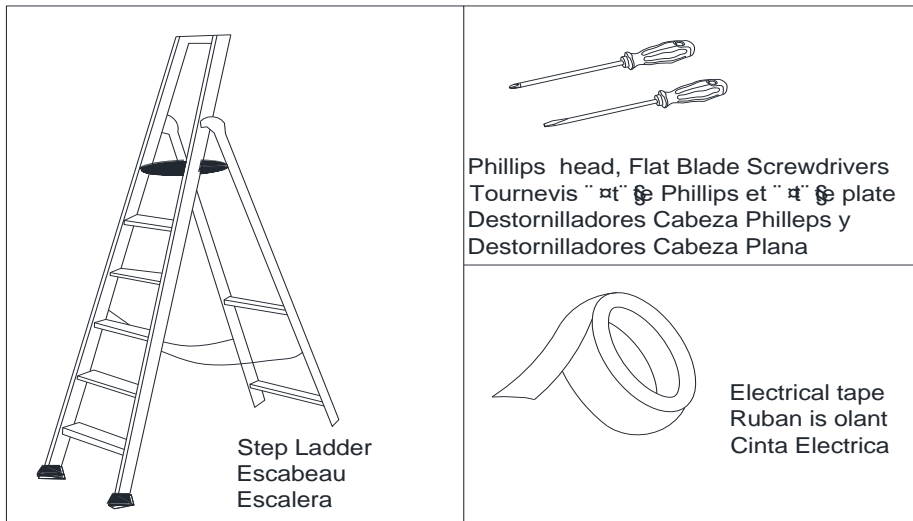
WARNING:

- **To reduce the risk of fire, electrical shock or personal injury, do not attempt to disassemble, repair or refit the product.**
- **To avoid hurting your eyes, do not look directly at the light source for a long time.**
- **Keep flammable materials away from lit bulb.**

Pre-assembly:

- Remove all parts and hardware from box along with any plastic protective packaging.
- Do not discard any contents until after assembly is complete to avoid accidentally discarding small parts or hardware.
- For your safety and convenience, assembly by two people is recommended.

TOOLS REQUIRED (not included):

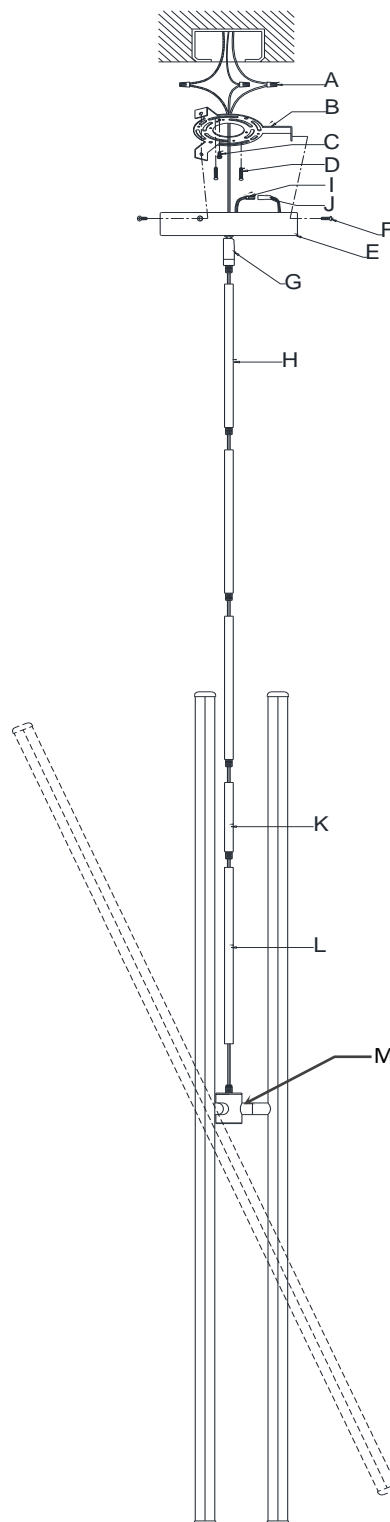


Parts Included:

- (B) Mounting Plate (1)
- (C) Green Ground Screw (1)
- (E) Canopy (1)
- (F) Canopy Screws (3)
- (G) Swivel (1)
- (H) Medium Tubes (3)
- (I) Male Plug (1)
- (J) Female Plug (1)
- (K) Short tube (1)
- (L) Long tube (1)
- (M) Light Rods Assembly

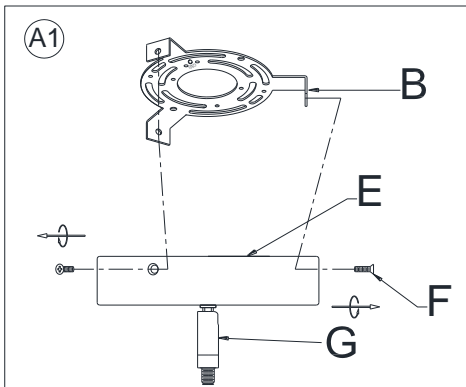
Hardware Enclosed:

- (A) Plastic Wire Nut Connectors (3)
- (D) Mounting Screws (2)

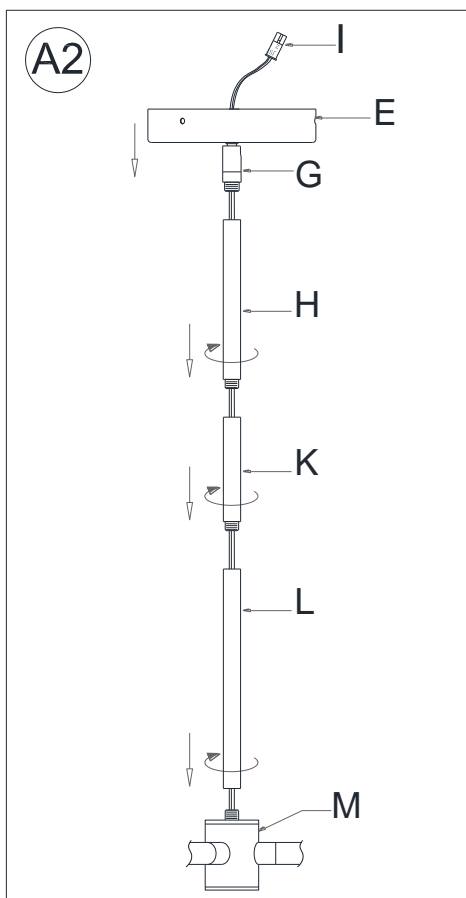


To Adjust the Suspension Length of the Fixture:

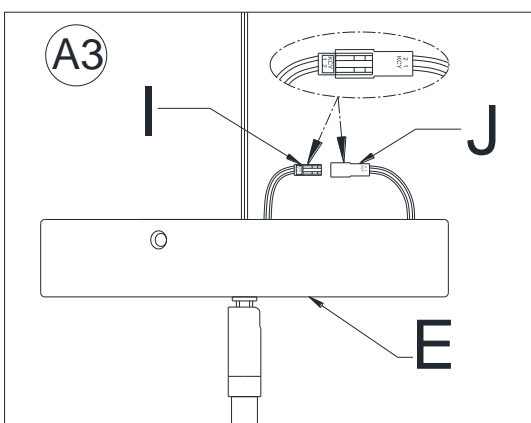
Note: The adjustment or shortening of the lighting fixture's suspension length is only needed if the factory set length is not appropriate for your installation. We recommend that you adjust the proper desired length before cutting the electrical cord. Determine the lighting fixture suspension length from the ceiling for the product installation, allowing the extra cord length for the outlet junction box wire connections as noted below.



Separate the Mounting Plate (B) from the Canopy (E) by removing the 3 Canopy Screws (F). Do not discard the Canopy Screws (F) as these will be used later.



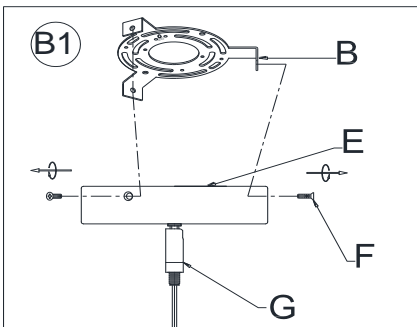
- 1) Take out Short Tube (K), 3 Medium Tubes (H) and Long Tube (L) from poly bag / package.
- 2) First thread the Male Plug (I) with fixture wires through the Long Tube (L), and then attach the bottom end of the Long Tube (L) onto the threaded nipple in the central of Light Rods Assembly (M) by rotating the tube clockwise until tight.
- 3) Thread the male plug and fixture wires through Short Tube (K), making sure the tube nipple joint end is downward. Attach Short Tube (K) into the upper end of Long Tube (L) by rotating clockwise until tight.
- 4) If you would like use only one Medium Tubes (H), then attach the Medium Tube (H) onto the top end of Short Tube (K) using the similar procedure. Use the additional Medium Tubes (H) as needed, to adjust the fixture's suspension length as you wished.
- 5) Last, thread male plug and fixture wires through the Swivel (G) and Canopy (E) and then attach the Swivel (G) onto the assembled Metal Tubes (H/K) by rotating clockwise until tight.



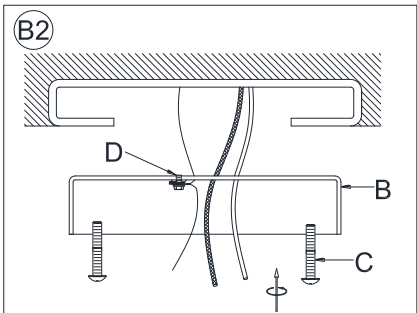
Find the Female Plug (J) inside the Canopy (E) and insert the Male Plug (I) into the Female Plug (J). Make sure this wire connection is correct and tight. Put the wires and connected plugs neatly into the canopy.

Assembly & Installation Instructions:

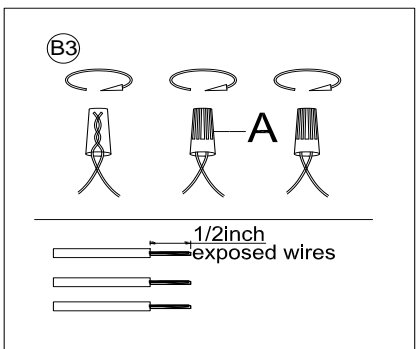
- **SHUT OFF THE MAIN ELECTRICAL SUPPLY FROM THE MAIN FUSE BOX/CIRCUIT BREAKER!**
- Carefully unpack all fixture parts and hardware and lay them on a clear workspace.



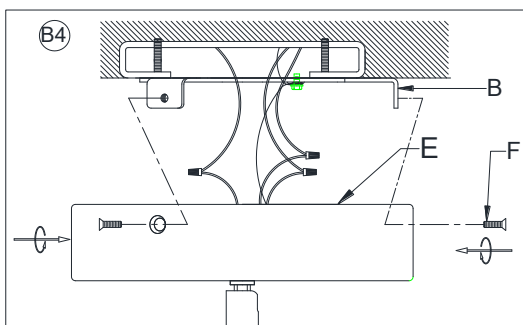
1. Separate the Mounting Plate (B) from the Canopy (E) by removing the 3 Canopy Screws (F). Do not discard the Canopy Screws (F) as these will be used later.



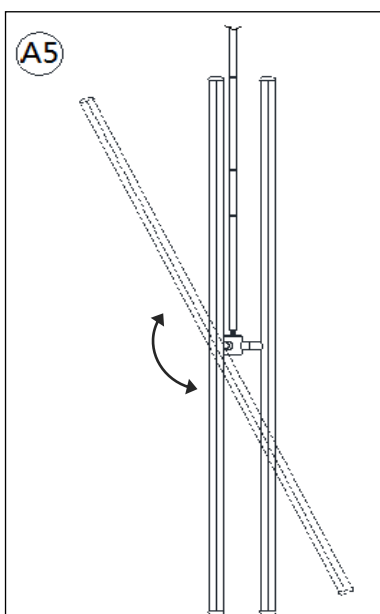
2. Gently pull existing wire down from the ceiling junction box and insert wires through the center opening of Mounting Plate (B). Attach Mounting Plate (B) to the ceiling outlet box, aligning the slots of the Mounting Plate (B) with the two threaded holes located on the J-Box. Insert and tighten 2 Mounting Screws (D) with a screwdriver.



3. Please read the section **"To Make the Wire Connections"** Below.



4. Raise Canopy (E) up over the Mounting Plate (B), align the 3 holes on the Mounting Plate (B) with the 3 holes on the side of the Canopy (E). Insert 3 Canopy Screws (F) and tighten to secure the Canopy (E) in place with a screwdriver.

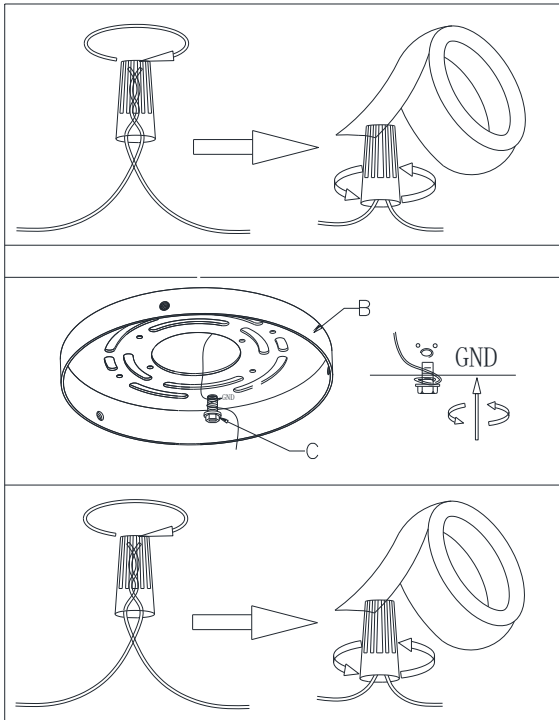


5. Gently rotate the light rods to your desired angles. Do not hand on the white plastic rod part for rotating.

Remove the protective film on the white plastic rod once installation done.

To Make the Wire Connections:

1. Gently pull existing wire down from the ceiling junction box and allow wires to hang. The HOT or LIVE wire is usually black. The NEUTRAL wire is usually white. Check to see if there is a ground wire that is usually green or green with a yellow stripe or exposed copper metal wire. If need, use a pair of wire strippers to remove about 1/2 inch of insulation from each wire.
2. Carefully inspect the fixture wires. The NEUTRAL FIXTURE WIRE is White. The HOT FIXTURE WIRE is Black. And the GROUND WIRE is BARE COPPER WIRE. If you have any doubt and cannot identify the power-supply wires with confidence, then we recommend that you ask an electrician and that you not continue with the installation.
3. With the help of another person to hold the weight of the fixture, attach the fixture wires to the junction box wires as shown in the illustrations.



Connect the GROUND FIXTURE WIRE to the GROUND J-BOX WIRE using the Plastic Wire Nut Connector (A) and wrap the connection with electrical tape. Be sure that no wire strands are exposed.

If the junction box DOES NOT have a GROUND WIRE, wrap the fixture's bare ground wire around the Green Ground Screw (C) and insert the screw into the Mounting Plate (B), marked as "GND", and tighten screw to secure the wire.

Connect the NEUTRAL FIXTURE WIRE to the NEUTRAL J-BOX WIRE first and then connect the HOT FIXTURE WIRE to the HOT J-BOX WIRE using the Plastic Wire Nut Connectors (A). Wrap these connections with electrical tape. Be sure that no wire strands are exposed.

**NOTE: IT IS IMPERATIVE THAT THE JUNCTION BOX IN YOUR HOME BE PROPERLY GROUNDED!
DO NOT REVERSE THE HOT AND NEUTRAL CONNECTIONS OR SAFETY WILL BE COMPROMISED.**

4. Check the wiring connections and if all looks good, gently tuck the wire connections neatly into the ceiling junction box.

Care Instructions:

- Wipe clean with a soft, dry cloth or static duster.
- Always avoid the use of harsh chemicals or abrasive cleaners as they may cause damage to the fixture's finishing.

FCC COMPLIANCE:

NOTE: This equipment has been tested and found to comply with the limits for a Class B digital device, pursuant to Part 15 of the FCC Rules. These limits are designed to provide reasonable protection against harmful interference in a residential installation. This equipment generates uses and can radiate radio frequency energy and, if not installed and used in accordance with the instructions, may cause harmful interference to radio communications. However, there is no guarantee that interference will not occur in a particular installation. If this equipment does cause harmful interference to radio or television reception, which can be determined by turning the equipment off and on, the user is encouraged to try to correct the interference by one or more of the following measures:

- Reorient or relocate the receiving antenna.
- Increase the separation between the equipment and receiver.
- Connect the equipment into an outlet on a circuit different from that to which the receiver is connected.

- Consult the dealer or an experienced radio/TV technician for help.

This device complies with Part 15 of the FCC Rules. Operation is subject to the following two conditions: (1) This device may not cause harmful interference, and (2) This device must accept any interference received, including interference that may cause undesired operation. Caution: changes or modifications not expressly approved by the party responsible for compliance could void the user's authority to operate the equipment.

IC COMPLIANCE:

This Class B digital apparatus complies with Canadian ICES-005.

Thank you for your purchase
Stores | catalog | www.westelm.com
USA 888-922-4119