

CAUTION:

- **BEFORE INSTALLING FIXTURE, MAKE SURE THE POWER TO THE CIRCUIT IS TURNED OFF AT THE MAIN FUSE BOX / CIRCUIT BREAKER UTILITY BOX.**

Important Safety Instructions:

These instructions are provided for your safety. It is very important that they are read carefully and completely before beginning the assembly and installation of this lighting fixture.

- We strongly recommend that a professional electrician install all direct wire fixtures.
- THIS PRODUCT MUST BE INSTALLED IN ACCORDANCE WITH THE APPLICABLE INSTALLATION CODES BY A PERSON FAMILIAR WITH THE CONSTRUCTION AND OPERATION OF THE PRODUCT AND THE HAZARDS INVOLVED.
- It is suggested to replace damaged dimmer switch with the recommended models.
- It must be connected only to 3-wire, single-phase electrical supply systems (provided with Ground wire or equivalent protection system).
- For your safety, it is strongly recommended that two people install the lighting fixture.
- The lighting fixture is meant for indoor use. DRY LOCATIONS ONLY
- LED BULBS ARE NON-REPLACEABLE.
- **Save these instructions.**

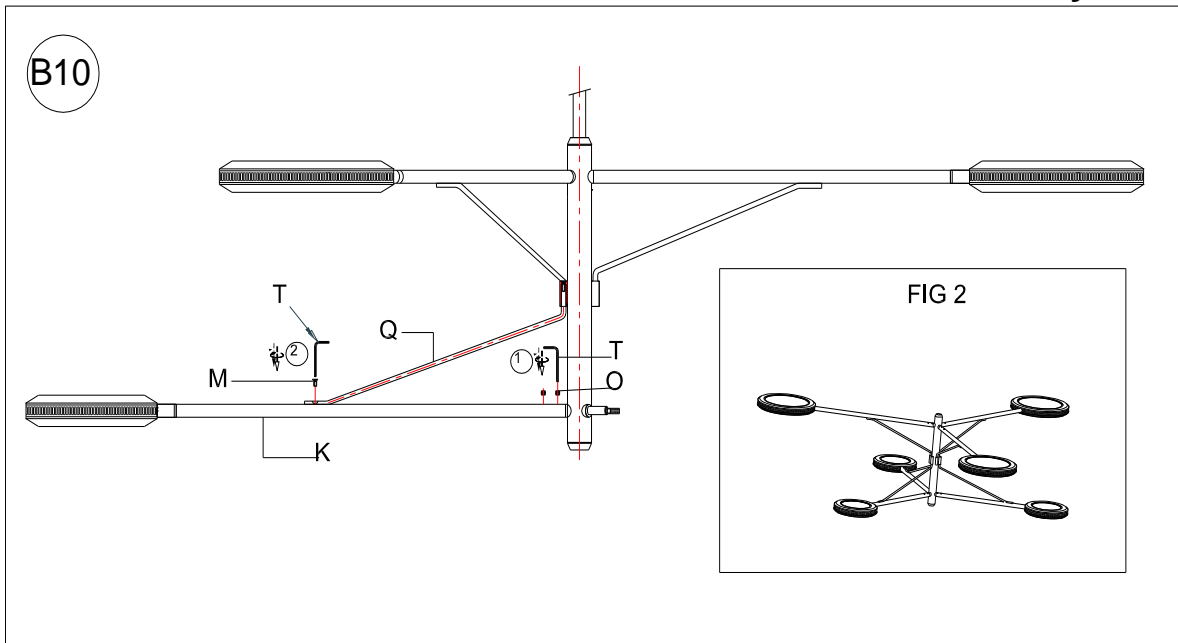
WARNING:

- **Do not touch bulb when fixture is turned on. Do not look directly at lit bulb.**
- **Keep flammable materials away from lit bulb.**

Pre-assembly:

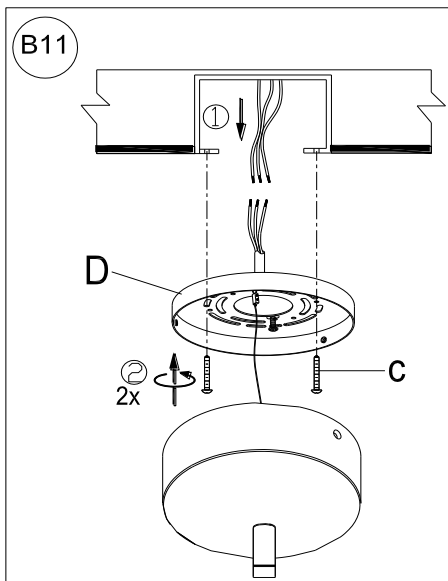
- Remove all parts and hardware from box along with any plastic protective packaging.
- Do not discard any contents until after assembly is complete to avoid accidentally discarding small parts or hardware.
- For your safety and convenience, assembly by two people is recommended.

ASTER CHANDELIER 6 LIGHT Assembly Instructions

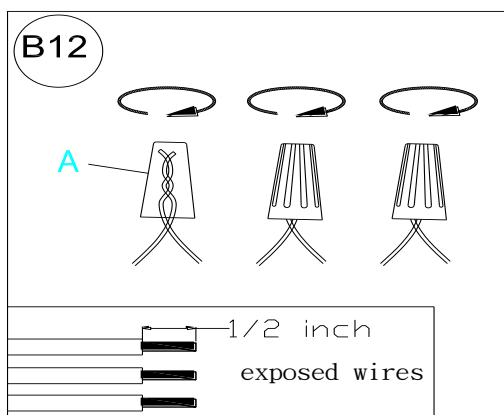


1. Tighten Flat head set screws (M) clockwise until Long Supports(P) is firmly secured to Short Tubes with Small Round Plate(K) by Allen Key(T).
2. Tighten Set screws (O) clockwise until Short Tubes with Small Round Plate(K) is firmly secured to Bottom Horizontal Tube on Lamp Body(Z) by Allen Key(T).

Assembling via repeat above step. Please see FIG2.



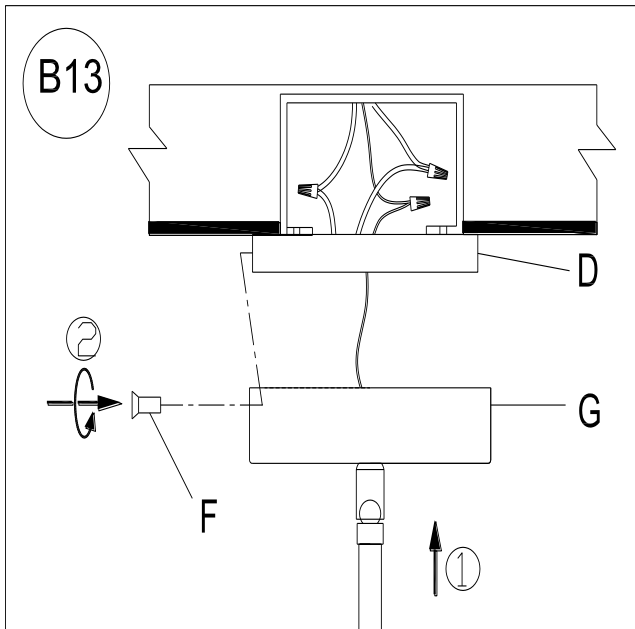
1. Pull down the J-box wires from the ceiling and let the wires to hang.
2. Attach the Mounting Plate (D) to the outlet box using the two Mounting Screws (C). Tighten each screw clockwise until the Mounting Plate (G) is firmly secured to the J-Box.



Please read the section” To Make the Wire Connections” Below.

ASTER CHANDELIER 6 LIGHT

Assembly Instructions



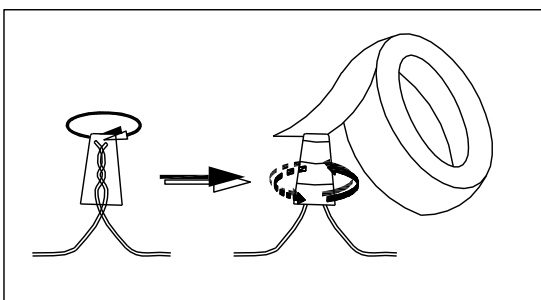
- 1 With the help of another person to hold the weight of the light fixture, position the Canopy (G) over the Mounting Plate (D), aligning the 3 holes on the Canopy (G) with the 3 holes from the Mounting Plate (D).
2. Insert the 3 Canopy Screws (F) and tighten to secure the Canopy (G) in place.

To Make the Wire Connections:

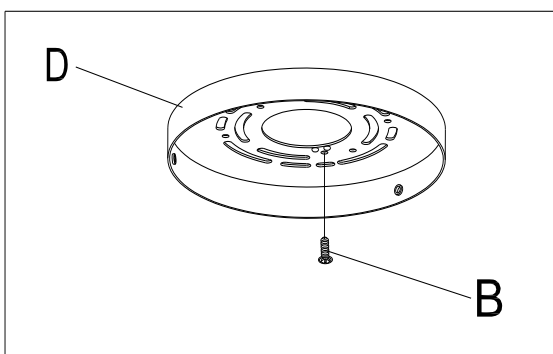
1. Gently pull existing wire down from the ceiling junction box and allow wires to hang. The HOT or LIVE wire is usually black. The NEUTRAL wire is usually white. Check to see if there is a ground wire that is usually green or green with a yellow stripe or exposed copper metal wire. If needed, use a pair of wire strippers to remove about 1/2 inch of insulation from each wire.



2. Carefully inspect the pendant's fixture wires. The NEUTRAL FIXTURE WIRE is White. The HOT FIXTURE WIRE is Black. And the GROUND WIRE is bare copper. If you have any doubt and cannot identify the power-supply wires with confidence, then we recommend that you ask an electrician and that you not continue with the installation.
3. With the help of another person to hold the weight of the fixture, attach the fixture wires to the junction box wires as shown in the illustration.



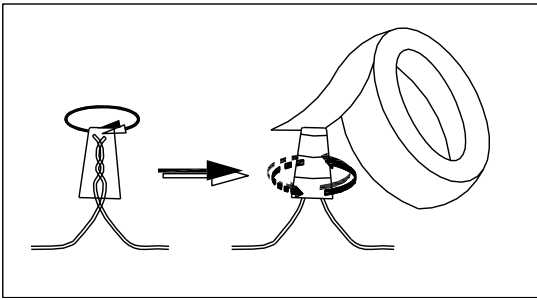
Connect the GROUND FIXTURE WIRE to the GROUND J-BOX WIRE using the Big Plastic Wire Nut Connector (A) and wrap the connection with electrical tape. Be sure that no wire strands are exposed.



If the junction box DOES NOT have a GROUND WIRE, wrap the fixture's bare ground wire around the Green Ground Screw (B) and insert the screw into the Mounting Plate (G), marked as "GND", and tighten screw to secure the wire.

ASTER CHANDELIER 6 LIGHT

Assembly Instructions



Connect the NEUTRAL FIXTURE WIRE to the NEUTRAL J-BOX WIRE first and then connect the HOT FIXTURE WIRE to the HOT J-BOX WIRE using the Big Plastic Wire Nut Connectors (I). Wrap these connections with electrical tape. Be sure that no wire strands are exposed.

NOTE:

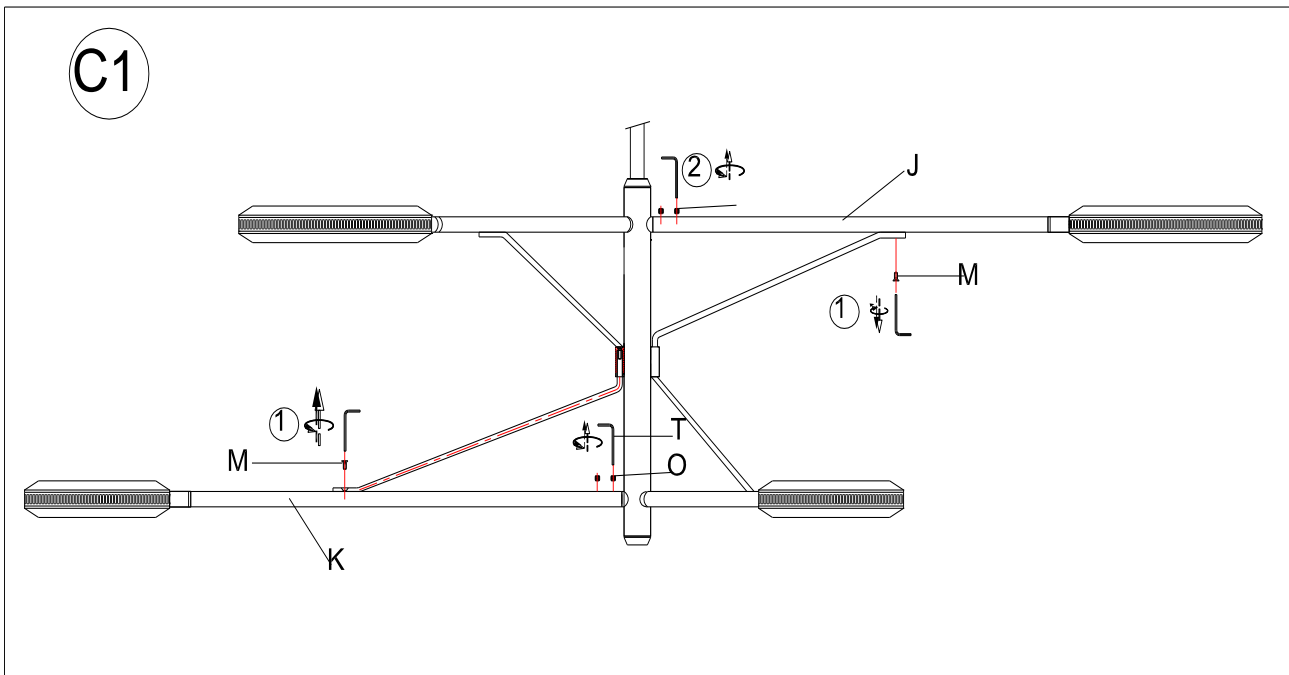
IT IS IMPERATIVE THAT THE JUNCTION BOX IN YOUR HOME BE PROPERLY GROUNDED!

DO NOT REVERSE THE HOT AND NEUTRAL CONNECTIONS OR SAFETY WILL BE COMPROMISED.

4. Check the wiring connections and if all looks good, gently tuck the wire connections neatly into the ceiling junction box.

Replace & Installation Instructions:

If the assembled lamp is not light, please check if Male Plastic Plug(R) is inserted completely and correctly connected with Female Plastic Plug(S).

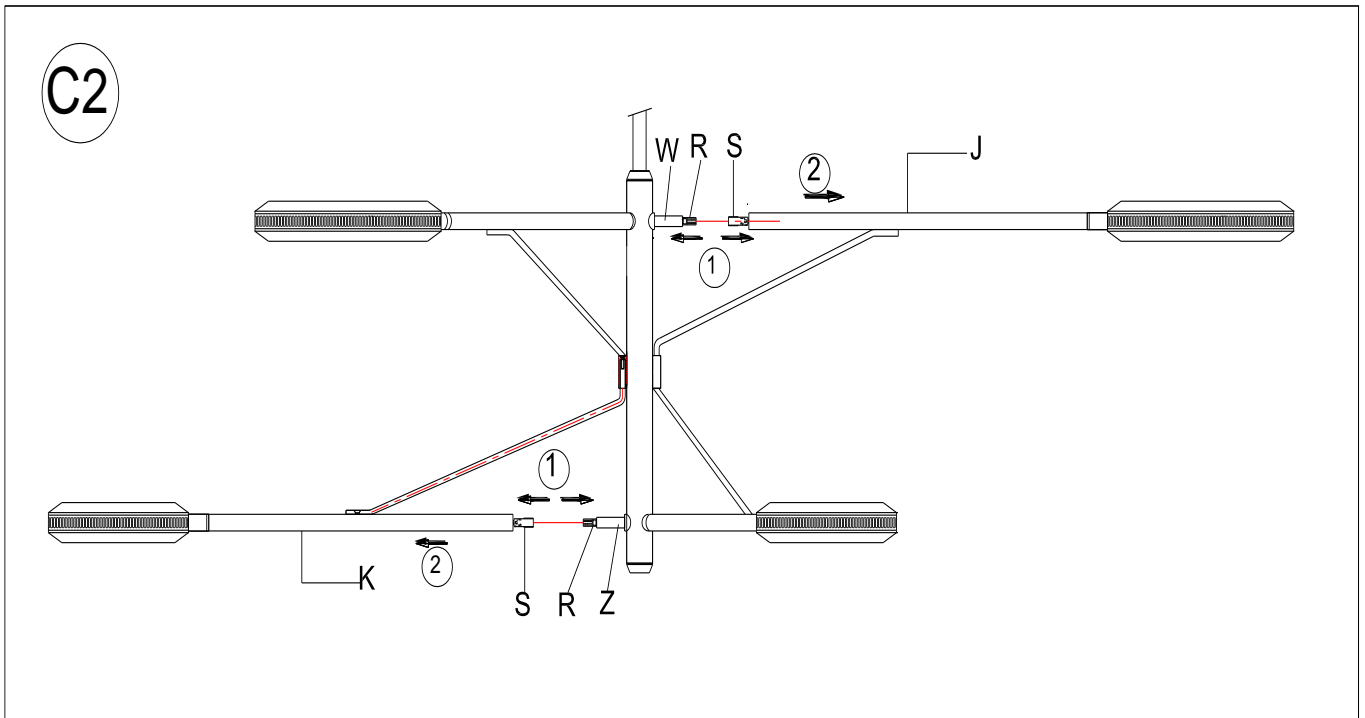


1. Remove Flat head set screws (M) from Short Tubes with Big Round Plate(K) or Long Tubes with Small Round Plate(J) by Allen Key(T).
2. Remove Set screws (O) from Short Tubes with Small Round Plate (K) or Long Tubes with Small Round Plate (J) by Allen Key (T).

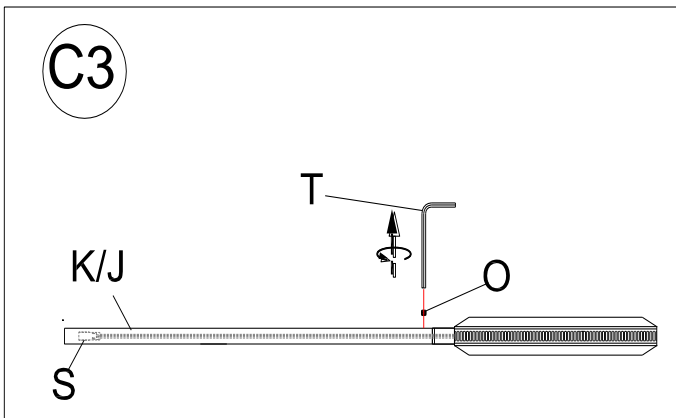
Do not discard these screws as they will be used later.

ASTER CHANDELIER 6 LIGHT

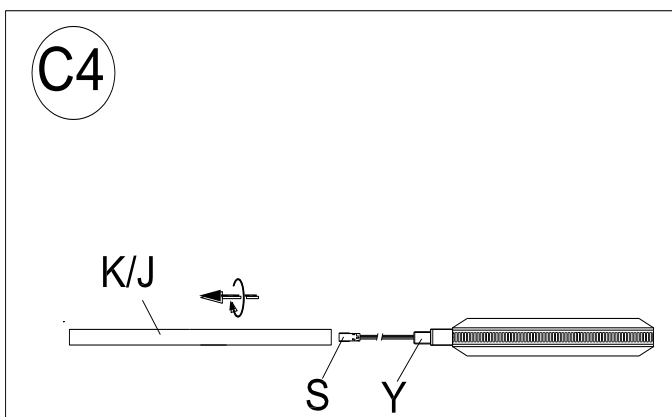
Assembly Instructions



1. Pull out Male Plastic Plug(R) from Female Plastic Plug(S).
 2. Pull out the Short Tubes with Small Round Plate (K) or Long Tubes with Small Round Plate (J) form Bottom Horizontal Tube on Lamp Body(Z) or Top Horizontal Tube on Lamp Body(W).
- If the Female Plastic Plug(S) goes into the Long Tubes with Big Round Plate(J) or the short Tubes with Small Round Plate(J), please you follow below step.



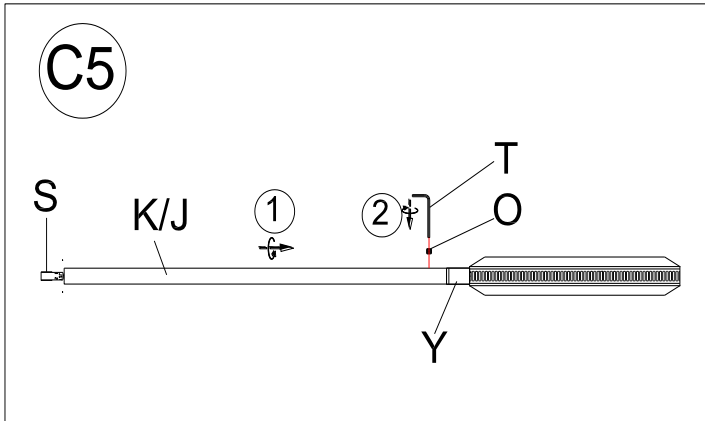
Remove Set screws (O) from Long Tubes with Big Round Plate(J) or the short Tubes with Small Round Plate(K) by Allen Key(T).



Rotate and remove Long Tubes with Big Round Plate (J) or the short Tubes with Small Round Plate(K) from the Nipple on the round plate(Y)

ASTER CHANDELIER 6 LIGHT

Assembly Instructions



1. Insert the Long Tubes with Big Round Plate (J) or the short Tubes with Small Round Plate(K) on the Nipple on the round plate(Y) .
2. Tighten Set screws (O) clockwise until the Long Tubes with Big Round Plate (J) or the short Tubes with Small Round Plate(K) is firmly secured to Bottom Horizontal Tube on the Nipple on the round plate(Y) by Allen Key(T).

FCC COMPLIANCE:

NOTE: This equipment has been tested and found to comply with the limits for a Class B digital device, pursuant to Part 15 of the FCC Rules. These limits are designed to provide reasonable protection against harmful interference in a residential installation. This equipment generates uses and can radiate radio frequency energy and, if not installed and used in accordance with the instructions, may cause harmful interference to radio communications. However, there is no guarantee that interference will not occur in a particular installation. If this equipment does cause harmful

interference to radio or television reception, which can be determined by turning the equipment off and on, the user is encouraged to try to correct the interference by one or more of the following measures:

- Reorient or relocate the receiving antenna.
- Increase the separation between the equipment and receiver.
- Connect the equipment into an outlet on a circuit different from that to which the receiver is connected.
- Consult the dealer or an experienced radio/TV technician for help.

This device complies with Part 15 of the FCC Rules. Operation is subject to the following two conditions: (1) This device may not cause harmful interference, and (2) This device must accept any interference received, including interference that may cause undesired operation. Caution: changes or modifications not expressly approved by the party responsible for compliance could void the user's authority to operate the equipment.

IC COMPLIANCE:

CAN ICES-005(B)/NMB-005(B)

The Light Modulator We Recommend:

LUTRON: PD-6WCL; MACL-153M; DVELV-300P-WH; SELV-300P TG-600PR; S-600P

LEVITON: 6672; 6631

Care instructions:

- Wipe clean with a soft, dry cloth or static duster.
- Always avoid the use of harsh chemicals or abrasive cleaners as they may cause damage to the fixture's finish.

Thank you for your purchase

Stores | catalog | www.westelm.com

USA 888-922-4119