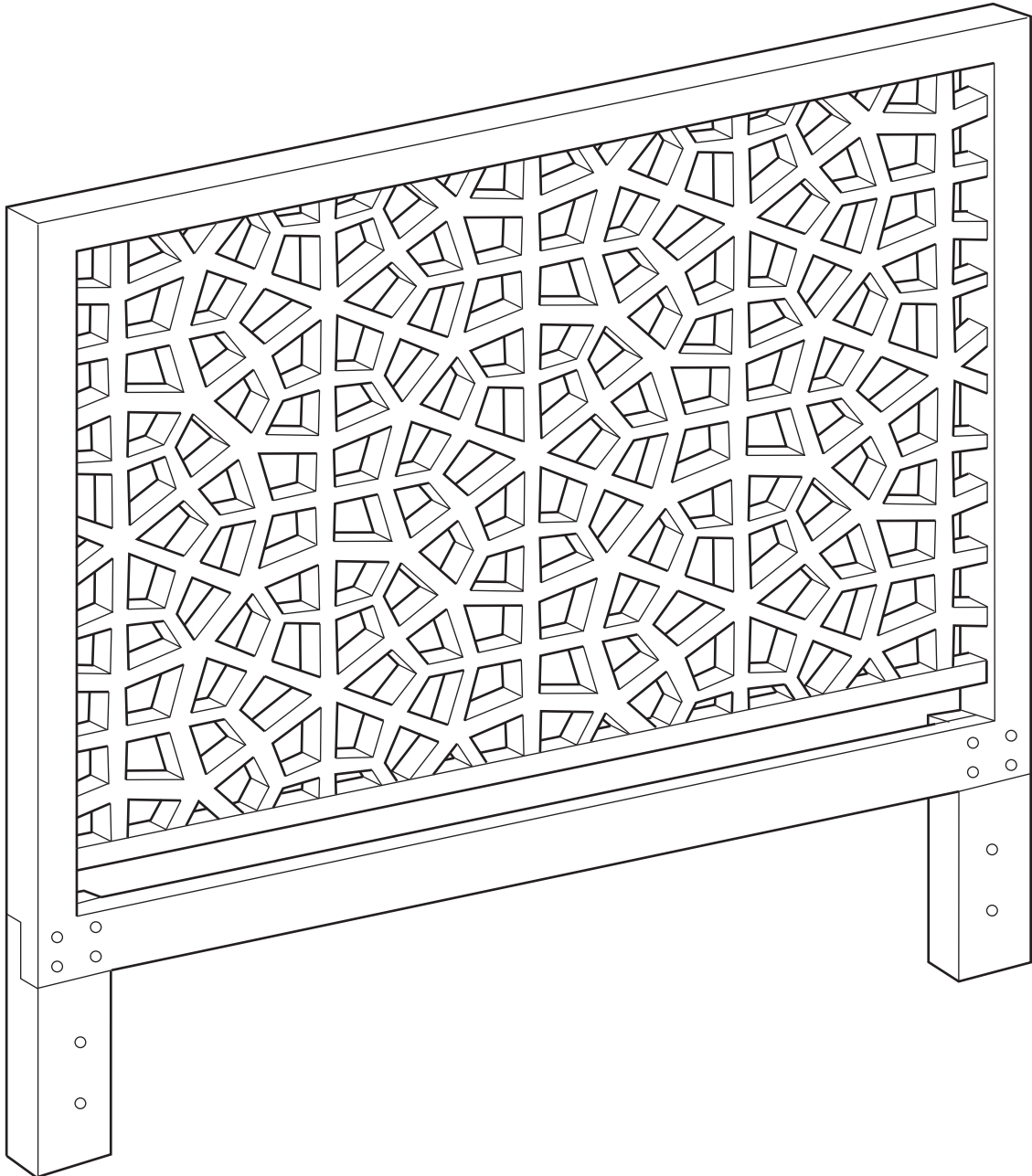


# west elm : morocco headboard

assembly instructions

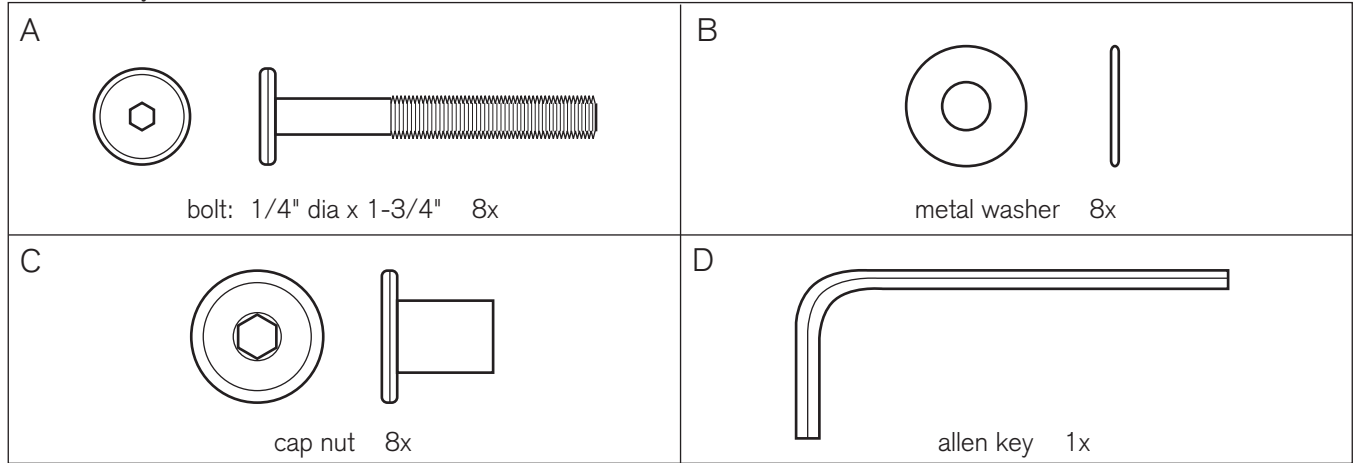


- ! Do not throw away packaging materials until assembly is complete.
- ! Assemble this item on a soft surface, such as cardboard or carpet, to protect the finish.

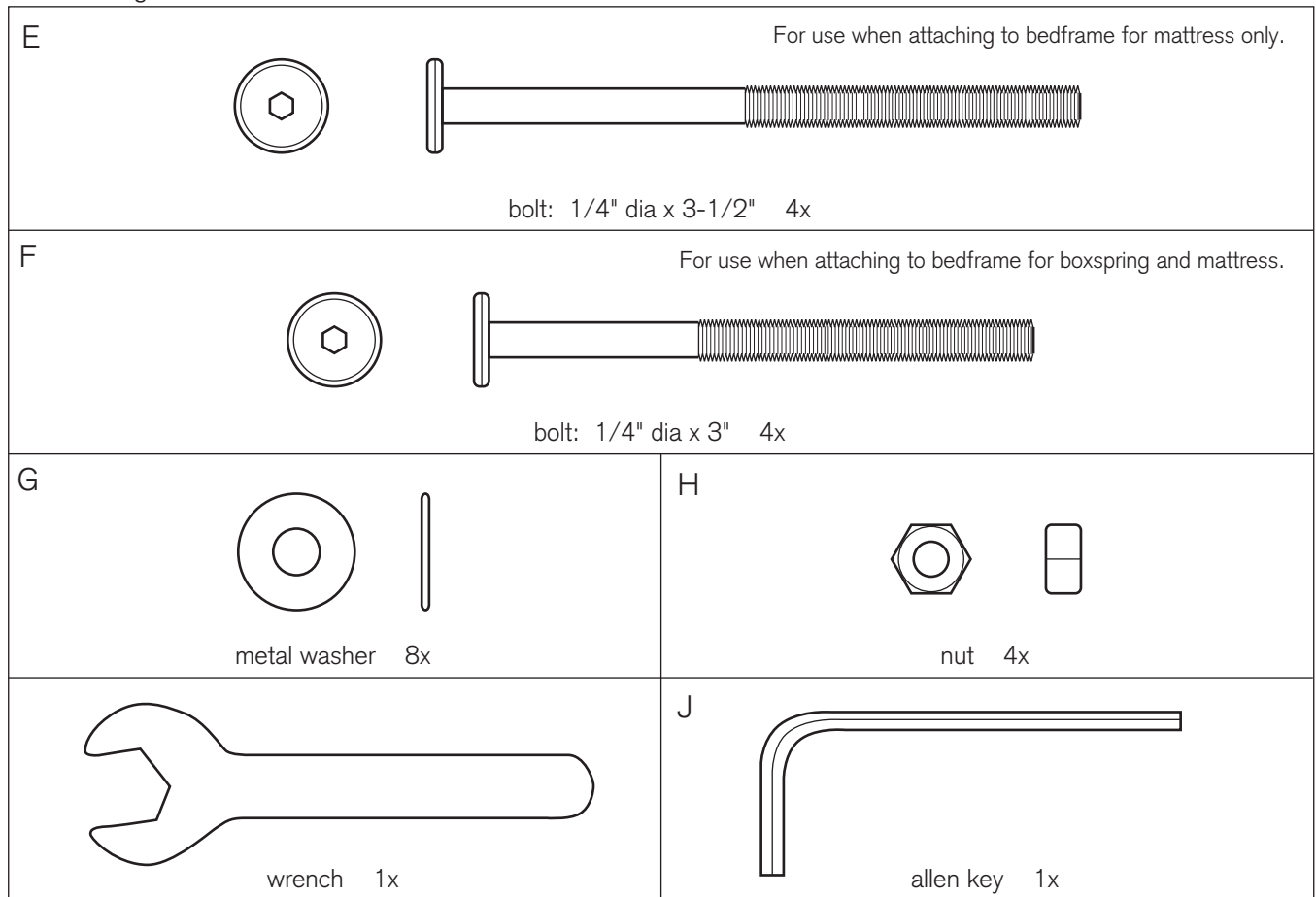
# west elm : morocco headboard

## assembly instructions

For assembly of headboard:



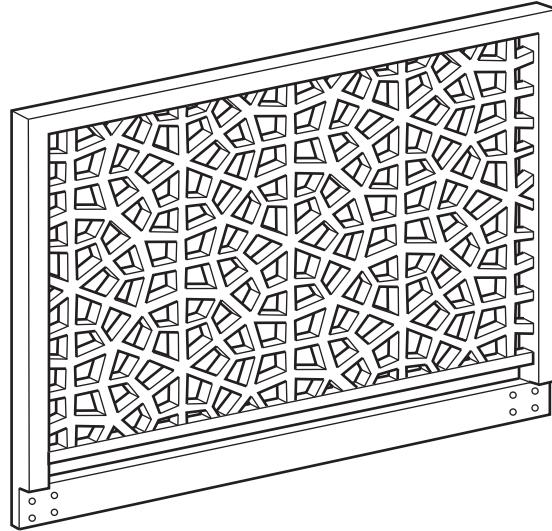
For attaching headboard to bedframe:



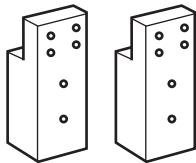
# west elm : morocco headboard

## assembly instructions

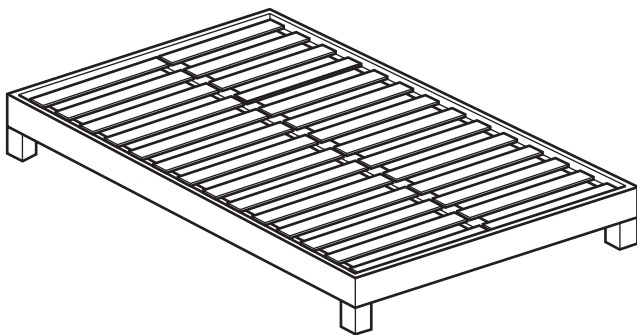
Choose the legs to match your bedframe:



For bedframe with mattress only:

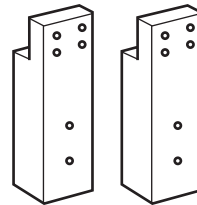


use short legs with the bedframe below.

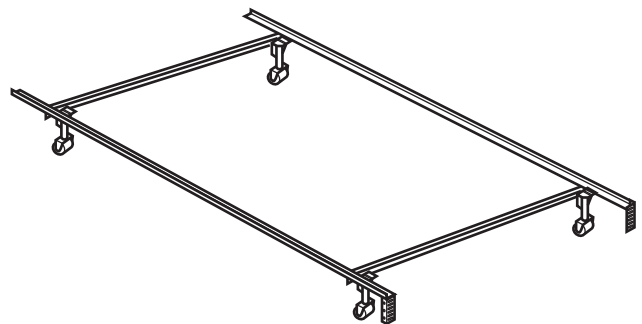


(bedframes sold separately)

For bedframe with boxspring and mattress:



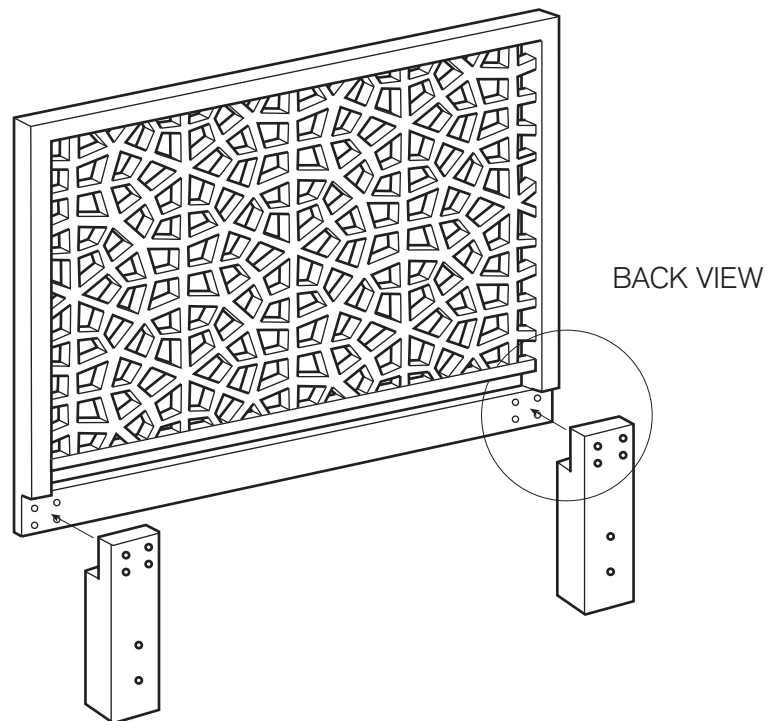
use tall legs with the bedframe below.



# west elm : morocco headboard

## assembly instructions

1. Align legs with the headboard. Match the leg labeled "R" with the "R" on the headboard. Match the leg labeled "L" with the "L" on the headboard.
2. Attach the hardware as shown and tighten.

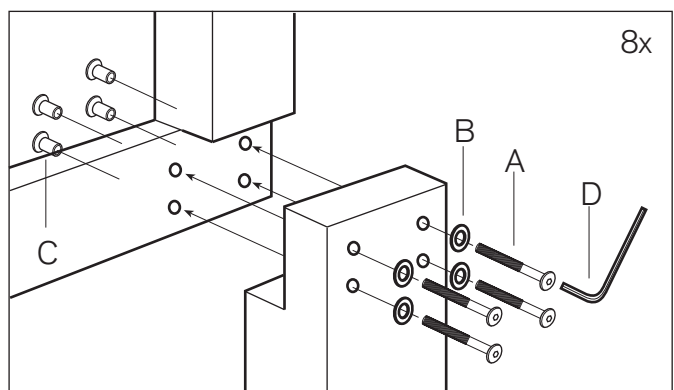


### CARE INSTRUCTIONS:

Hardware may loosen over time. Periodically check that all connections are tight.

Wipe with a soft, dry cloth. To protect the finish, avoid the use of all chemicals and household cleaners.

Headboards are designed for placement against a wall.



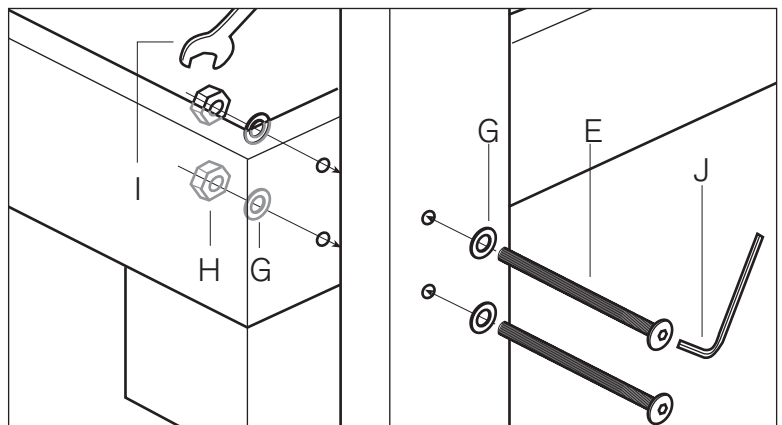
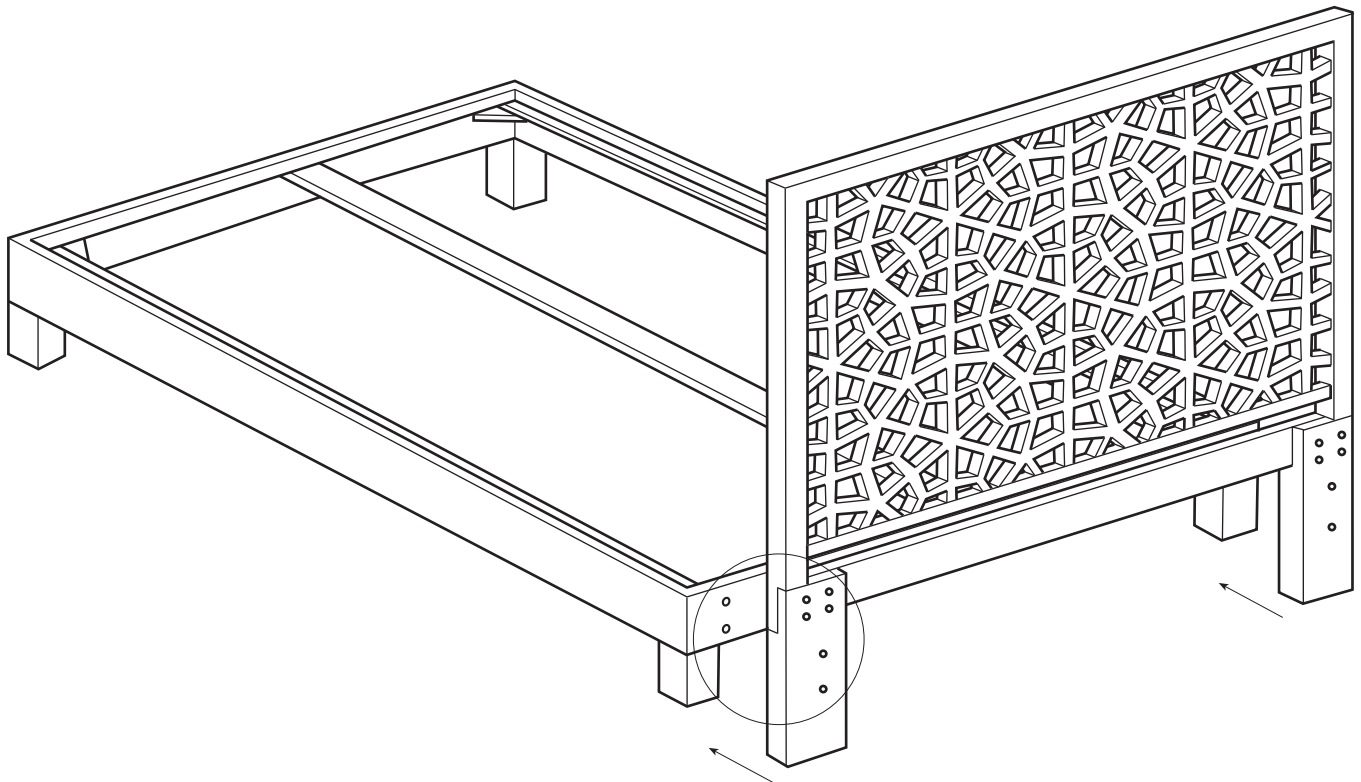
# west elm : morocco headboard

## assembly instructions

Attaching the headboard to bedframe for mattress only:

! The correct placement of the headboard is for the lower horizontal bar to face forward, so it is flush with your mattress.

1. Align hardware as shown and tighten.

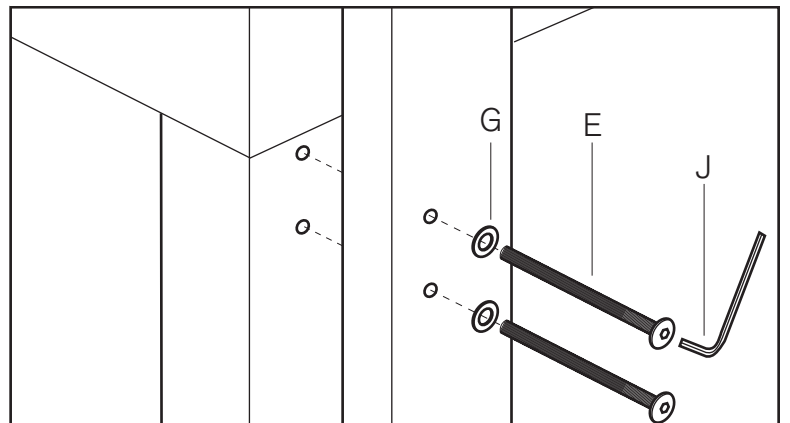
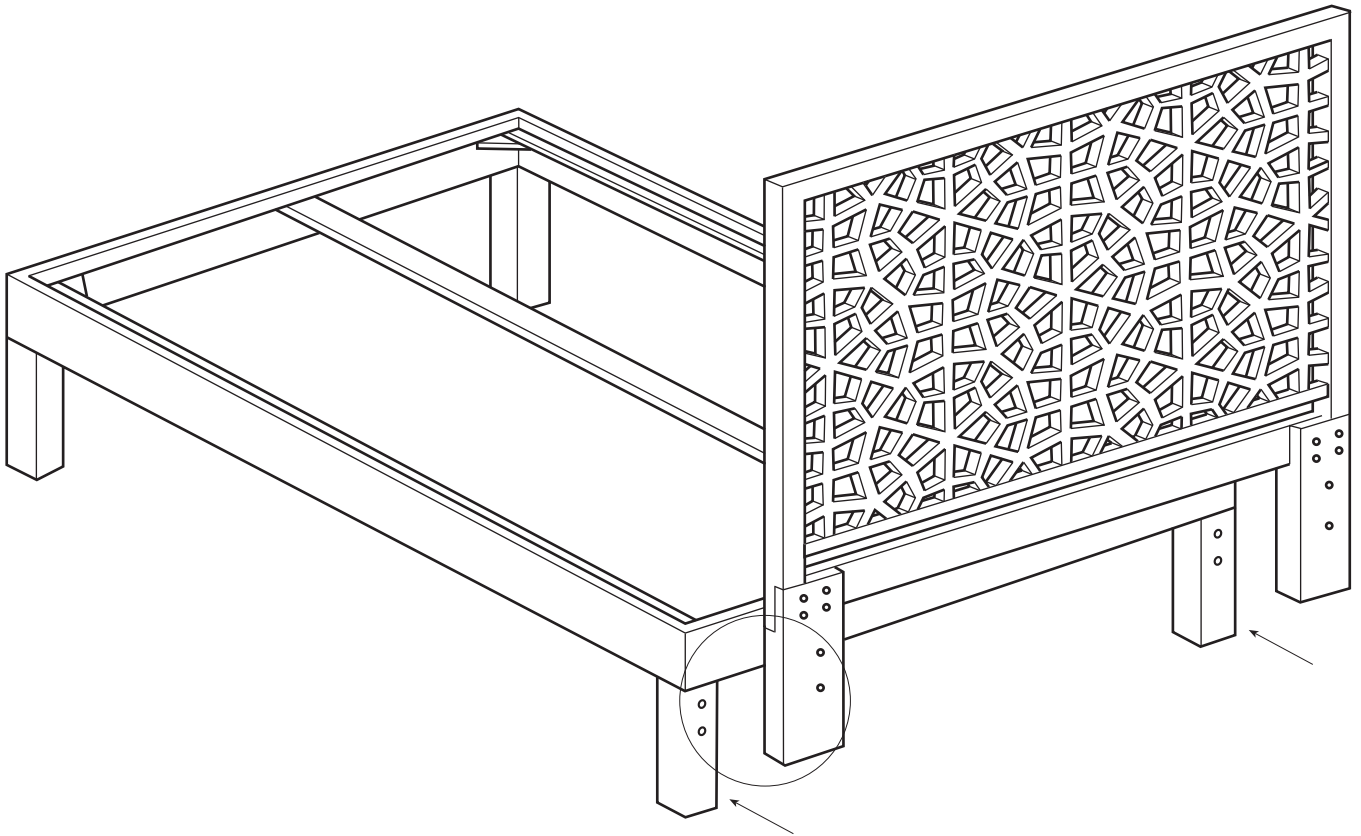


# west elm : morocco headboard

## assembly instructions

Attaching the headboard to tall wood bed frame:

1. Align hardware as shown and tighten.

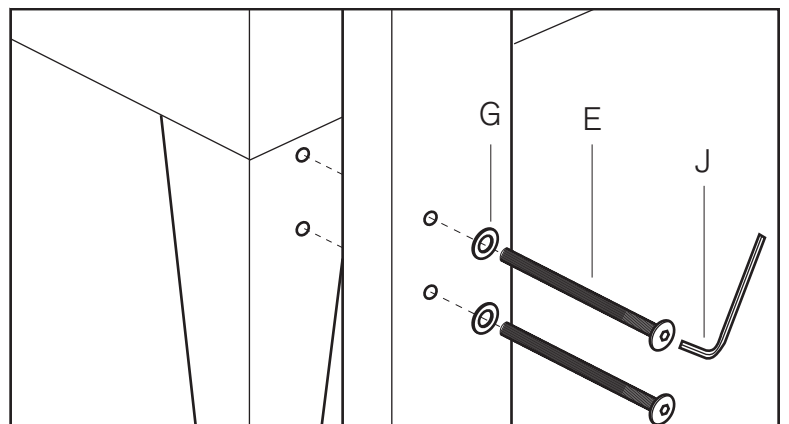
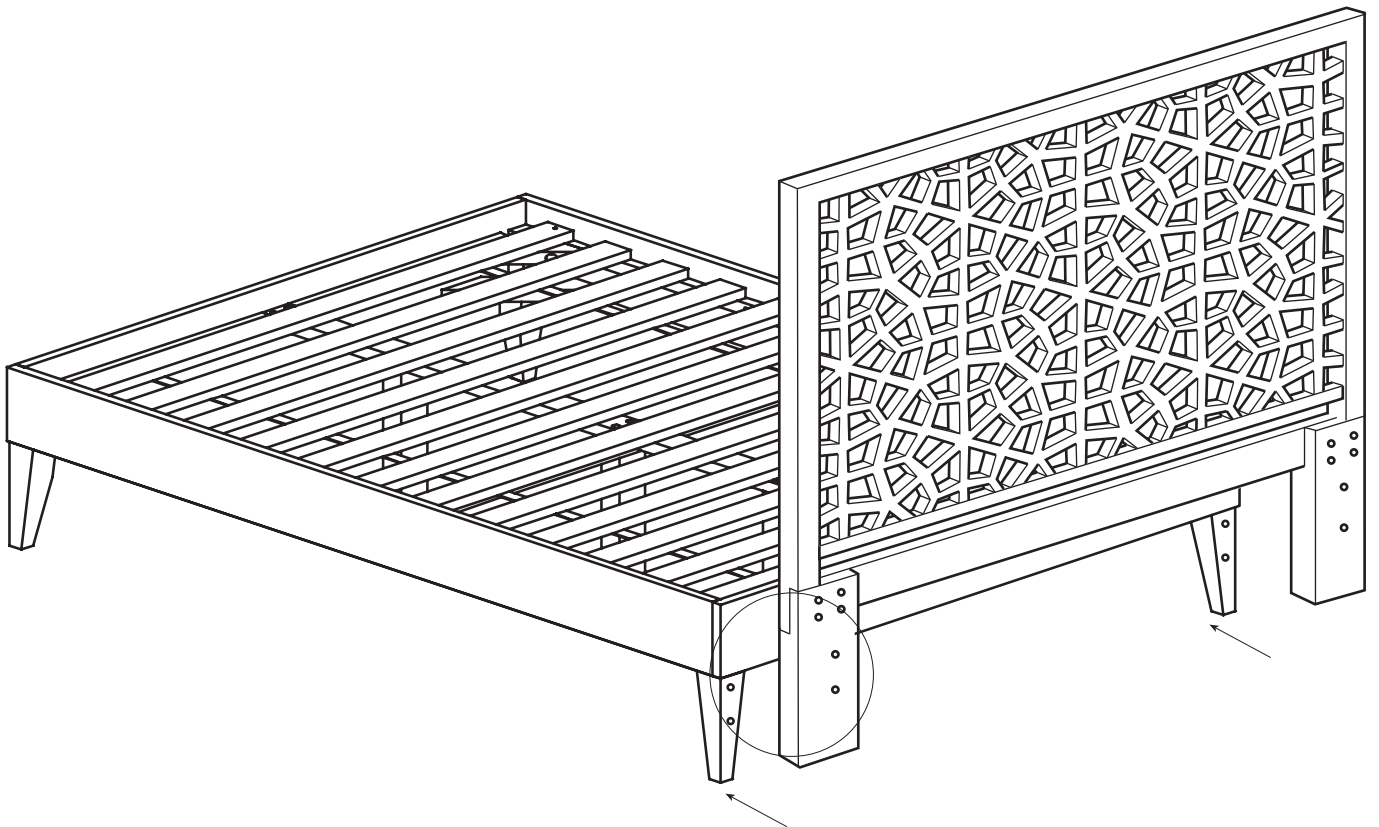


# west elm : morocco headboard

## assembly instructions

Attaching the headboard to narrow leg bed frame

1. Align hardware as shown and tighten.



# west elm : morocco headboard

## assembly instructions

Attaching the headboard to bedframe for boxspring and mattress:

! The correct placement of the headboard is for the lower horizontal bar to face forward, so it is flush with your mattress.

1. Align hardware as shown and tighten.

