

STAGGERED GLASS SCONCE-SINGLE Assembly Instructions

CAUTION:

- **BEFORE INSTALLING FIXTURE, MAKE SURE THE POWER TO THE CIRCUIT IS TURNED OFF AT THE MAIN FUSE BOX / CIRCUIT BREAKER UTILITY BOX.**

Important Safety Instructions:

- These instructions are provided for your safety. It is very important that they are read carefully and completely before beginning the assembly and installation of this lighting fixture.
- We strongly recommend that a professional electrician install all direct wire fixtures.
- THIS PRODUCT MUST BE INSTALLED IN ACCORDANCE WITH THE APPLICABLE INSTALLATION CODES BY A PERSON FAMILIAR WITH THE CONSTRUCTION AND OPERATION OF THE PRODUCT AND THE HAZARDS INVOLVED.
- The lighting fixture is meant for indoor use. It must be connected only to 3-wire, single-phase electrical supply systems (provided with Ground wire or equivalent protection system).
- For your safety, it is strongly recommended that two people install the lighting fixture.
- This fixture has been rated for up to one (1) **60-watt maximum TYPE B standard (candelabra) incandescent light bulb** (not included) or one (1) **13-watt compact fluorescent light bulb** (not included). To avoid the risk of fire, do not exceed the recommended wattage.
- Use with approved West Elm Shade only, having a minimum opening diameter of 3-1/2 inches and a minimum lamp-to-shade spacing of 2-1/2 inches.
- This lighting fixture is intended for indoor or protected/covered outdoor areas. Do not expose to direct rainfall. SUITABLE FOR EITHER DRY OR DAMP LOCATIONS.”.
- **Save these instructions.**

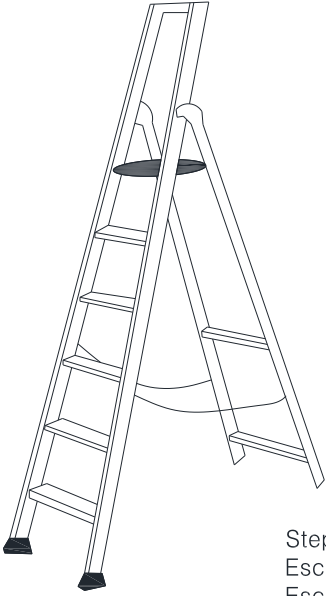
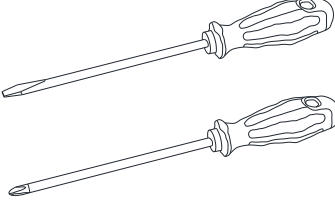
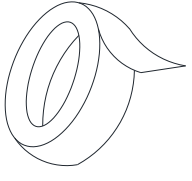
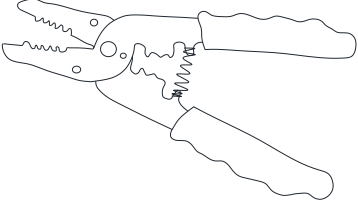
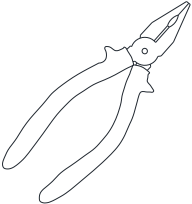
WARNING:

- **To reduce the risk of fire, electrical shock or personal injury, always turn off light fixture and allow it to cool prior to replacing light bulb.**
- **Do not touch bulb when fixture is turned on. Do not look directly at lit bulb.**
- **Keep flammable materials away from lit bulb.**

Pre-assembly:

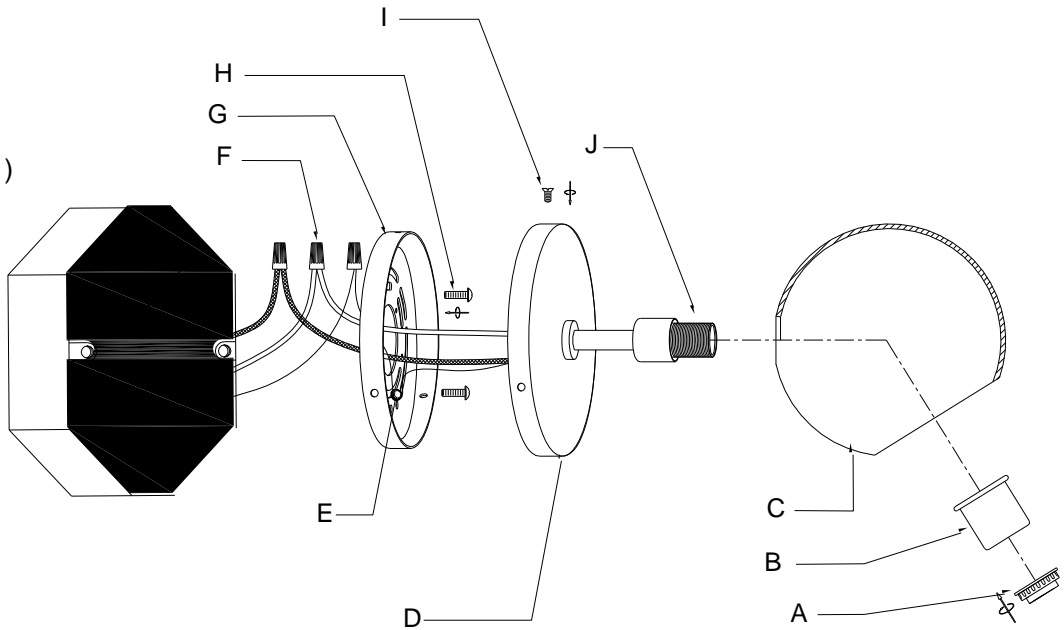
- Remove all parts and hardware from box along with any plastic protective packaging.
- Do not discard any contents until after assembly is complete to avoid accidentally discarding small parts or hardware.
- For your safety and convenience, assembly by two people is recommended.

Tools Required: (not included):

 <p>Step Ladder Escabeau Escalera</p>	 <p>Phillips Head, Flat Blade Screwdrivers Tournevis à tête Phillips et à tête plate Destornilladores Cabeza Phillips y Destornilladores Cabeza Plana</p>	 <p>Electrical tape Ruban isolant Cinta Electrica.</p>
 <p>Wire Cutter/Stripper Pince coupe-fil/ à dénudé Cortador de Cable</p>	 <p>Plier Pince Alicates</p>	

Parts Included:

- (A) Socket Ring (1)
- (B) Spacer (1)
- (C) Glass shade (1)
- (D) Canopy (1)
- (E) Green Ground Screw (1)
- (G) Mounting Plate (1)
- (I) Canopy Screws (3)
- (J) Socket (1)



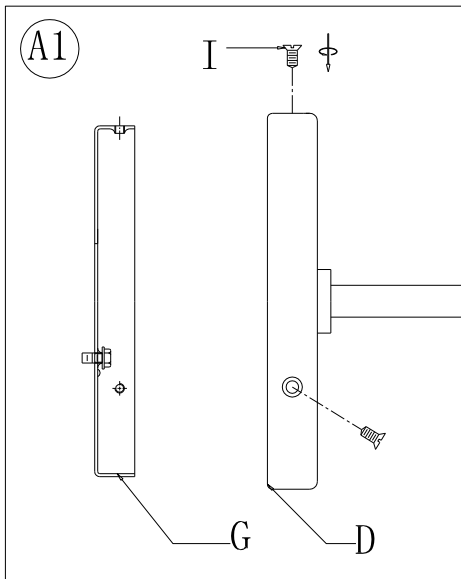
Hardware Enclosed:

- (F) Plastic Wire Nut Connectors (3)
- (H) Mounting Screws (2)

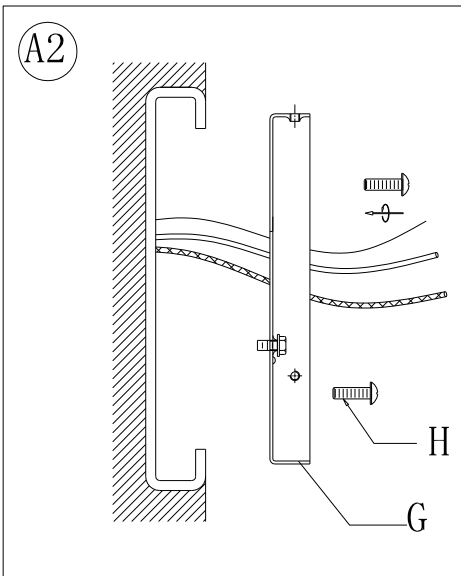
<p>F</p>  <p>3x</p>	<p>H</p>  <p>2x</p>
---	---

Assembly Instructions:

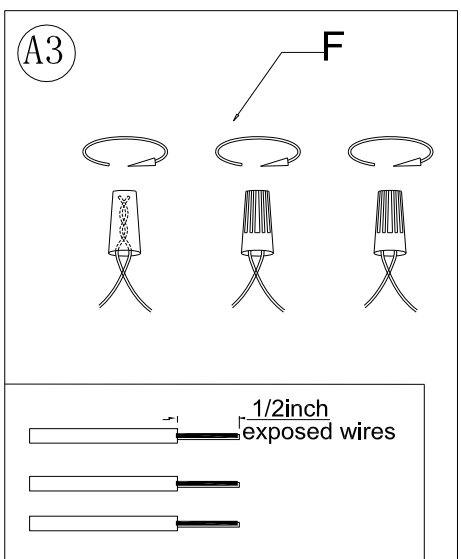
- **SHUT OFF THE MAIN ELECTRICAL SUPPLY FROM THE MAIN FUSE BOX/CIRCUIT BREAKER!**
- Carefully unpack all fixture parts and hardware and lay them on a clear workspace.



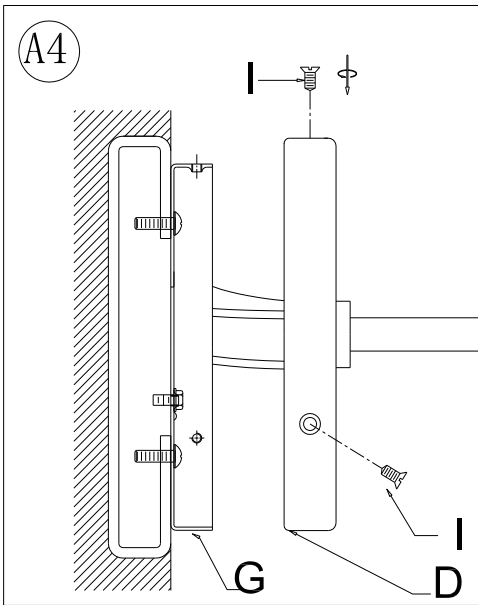
Separate the Mounting Plate (G) from the Canopy (D) by removing the Canopy Screws (I). Do not discard the Canopy Screws (I) as these will be used later.



1. Insert the J-box wires through the center opening of Mounting Plate (G)
2. Attach the Mounting Plate (G) onto the wall J-box
3. Secure the Mounting Plate (G) by turning the 2 Mounting Screws (H) clockwise until tight

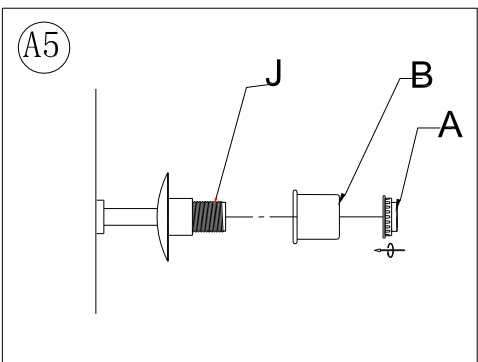


Please read the section "To Make the Wire Connections" Below.

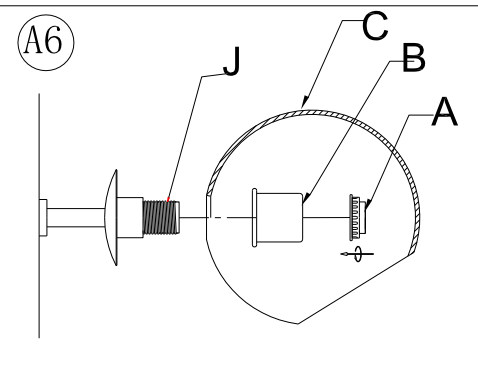


1. Position the Canopy (D) over the Mounting Plate (G), aligning the 3 holes on the Canopy (D) with the 3 holes on the Mounting Plate (G).
2. Secure the Canopy (D) by tightening 3 Canopy Screws (I)

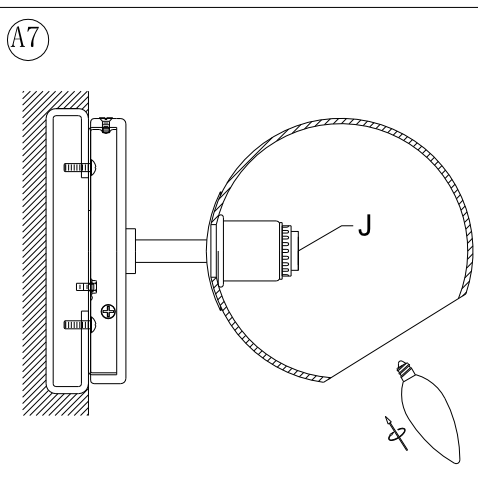
Note: When install the light fixture onto the wall, making sure the arrow of the “Up” label inside the Canopy (D) will face upwards



Unscrew the Socket Ring(A) and Spacer (B) from the Socket (J) by rotating the Socket Ring (A) in a counter-clockwise direction.



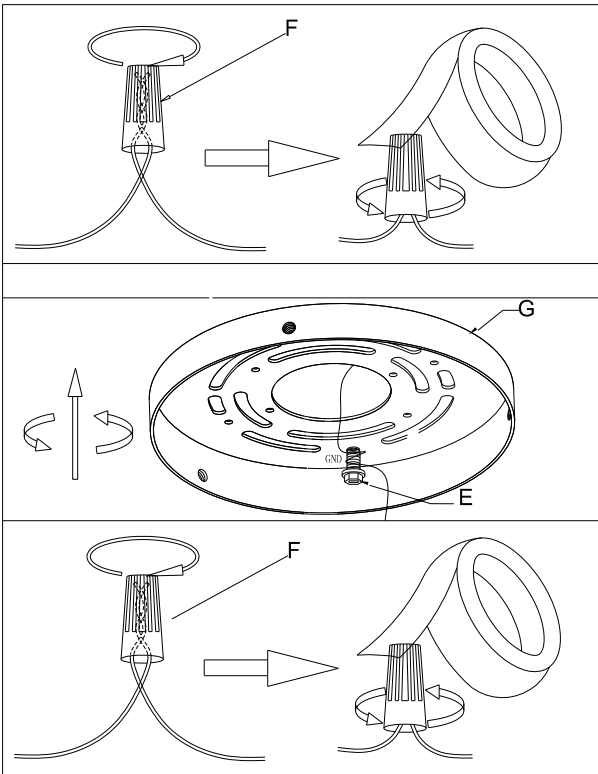
- 1, Attach the Glass Shade (C) onto the Socket (J).
- 2, Place the Spacer (B) onto the Socket (J)
- 3, Secure Glass Shade (C) and Spacer (B) by rotating the Socket Rings(A) in a clockwise direction until tight.



Insert the specified light bulb into the Socket (J). DO NOT EXCEED THE SPECIFIED WATTAGE.

To Make the Wire Connections:

1. Gently pull the wiring from the junction box and allow wires to hang. The HOT or LIVE wire is usually black. The NEUTRAL wire is usually white. Check to see if there is a ground wire that is usually green or green with a yellow stripe or exposed copper metal wire. If needed, use a pair of wire strippers to remove about 1/2 inch of insulation from each wire.
2. Carefully inspect the fixtures wires. The NEUTRAL FIXTURE WIRE is White. The HOT FIXTURE WIRE is Black. The BARE COPPER WIRE is the GROUND WIRE. If you have any doubt and cannot identify the power-supply wires with confidence, then we recommend that you ask an electrician and that you not continue with the installation.
3. With the help of another person to hold the weight of the fixture, attach the fixture wires to the junction box wires as shown in the illustrations.



Connect the GROUND FIXTURE WIRE to the GROUND J-BOX WIRE using the Plastic Wire Nut Connector (F) and wrap the connection with electrical tape. Be sure that no wire strands are exposed.

If the junction box DOES NOT have a GROUND WIRE, wrap the fixture's bare ground wire around the Green Ground Screw (E) and insert the screw into the Mounting Plate (G), marked as "GND", and tighten screw to secure the wire.

Connect the NEUTRAL FIXTURE WIRE to the NEUTRAL J-BOX WIRE first and then connect the HOT FIXTURE WIRE to the HOT J-BOX WIRE using the Plastic Wire Nut Connectors (F). Wrap these connections with electrical tape. Be sure that no wire strands are exposed.

NOTE:

IT IS IMPERATIVE THAT THE JUNCTION BOX IN YOUR HOME BE PROPERLY GROUNDED!

DO NOT REVERSE THE HOT AND NEUTRAL CONNECTIONS OR SAFETY WILL BE COMPROMISED.

4. Check the wiring connections and if all looks good, gently tuck the wire connections neatly into the junction box

Care instructions:

- Wipe clean with a soft, dry cloth or static duster.
- Always avoid the use of harsh chemicals or abrasive cleaners as they may cause damage to the fixture's finish.

Thank you for your purchase

Stores | catalog | www.westelm.com

USA 888-922-4119