



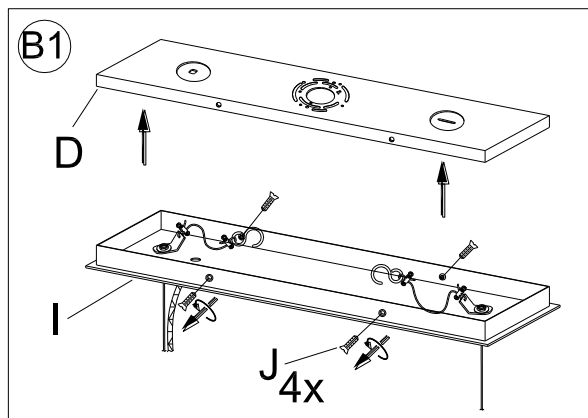




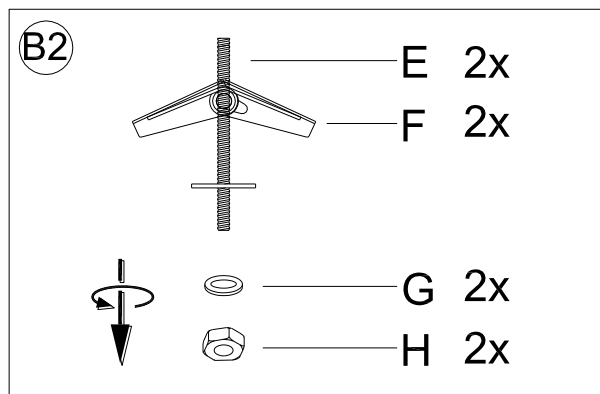


## Assembly & Installation Instructions:

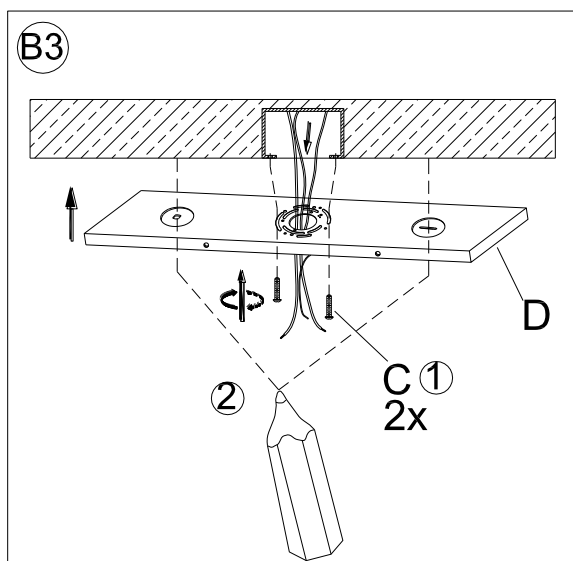
- **SHUT OFF THE MAIN ELECTRICAL SUPPLY FROM THE MAIN FUSE BOX/CIRCUIT BREAKER!**
- Carefully unpack all fixture parts and hardware and lay them on a clear workspace.



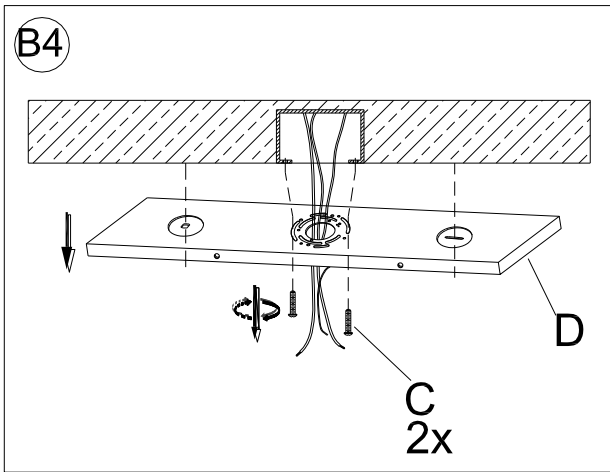
1. Separate the Mounting Plate (D) from the Canopy (I) by removing the 4 Canopy Screws (J). Do not discard the Canopy Screws (J) as these will be used later.



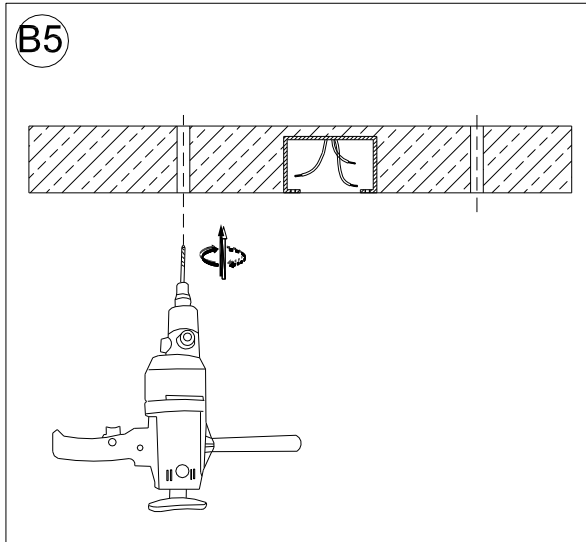
2. Remove Toggle Nuts (H) and Toggle Flat Washers (G) from Toggle Bolts (E) and set them aside.



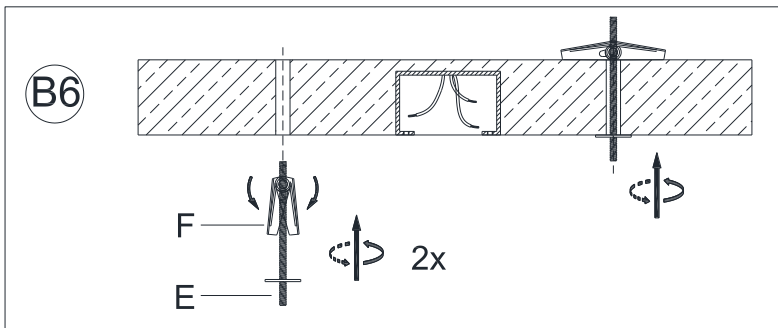
3. Determine the desired location of the light fixture and temporarily install the Mounting Plate (D) to the ceiling J-box using the 2 J-box Mounting Screws (C), insert and tighten each screw until the Mounting Plate (D) is firmly secured to the J-Box. Mark the 2 slot locations of the Mounting Plate (D) on the ceiling using a pencil



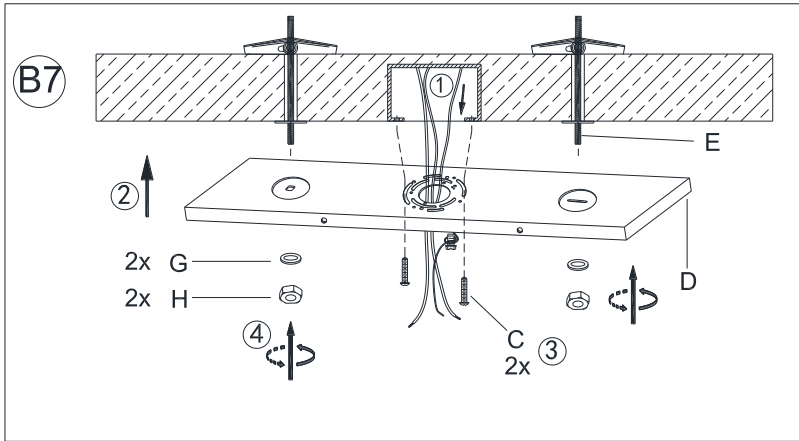
4. Un-install the Mounting Plate (D) from the marked ceiling outlet box location by loosening and removing the 2 J-box Mounting Screws (C) with a screwdriver.



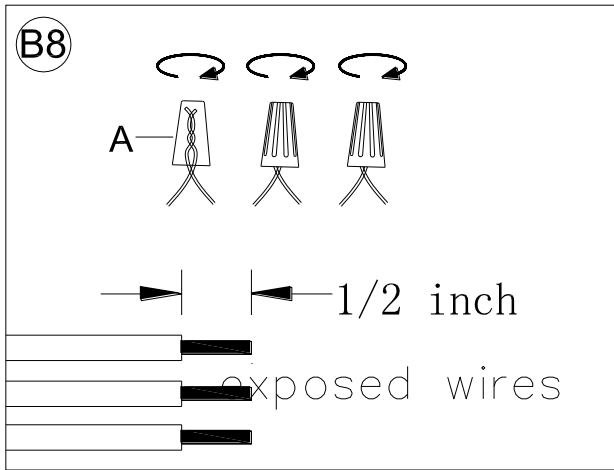
5. Using the drill with the appropriate size drill bit (just large enough to make hole that will allow passage of the folded Toggle Wings (F) of the Toggle Bolts (E)), drill 1 hole in the ceiling at each of the 2 marked slot locations for the toggle bolt assemblies.



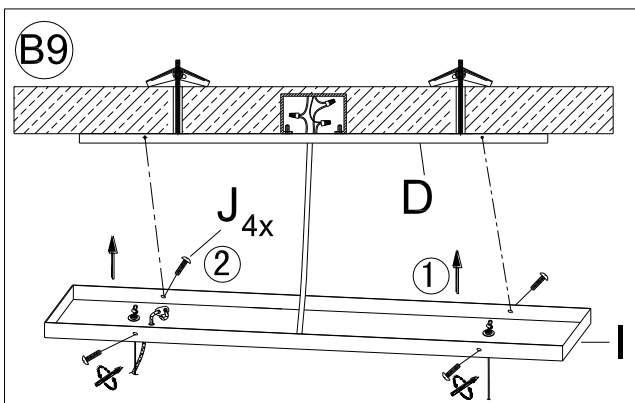
6. Use the assembled Toggle Bolts and Toggle Wings (E&F), inserted through each of the 2 ceiling holes, making sure only the Toggle Wings (F) are fully inserted into the ceiling and Toggle Wings (F) are open. Rotate each Toggle Bolt (E) clockwise until each flat washer on the Toggle Bolt (E) is tight against the ceiling.



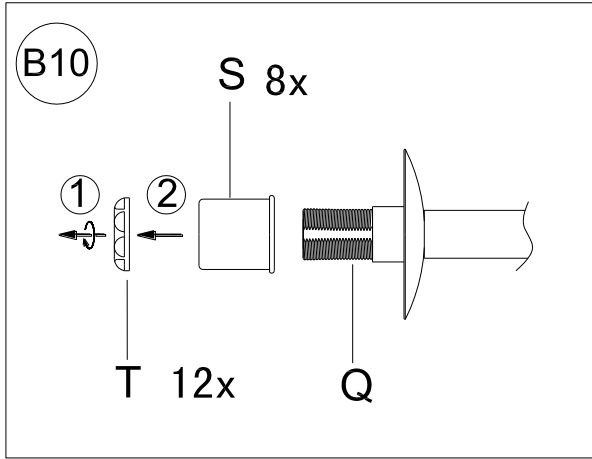
7. Gently pull the existing wire down from the ceiling junction box and allow wires to hang through the center opening of Mounting Plate (D). Attach the Mounting Plate (D) to the ceiling outlet box, making sure that the threaded portions of each Toggle Bolts (E) extend down through the holes on the Mounting Plate (D). Secure the Mounting Plate (D) using 2 Mounting Screws (C). Tighten each screw with a screwdriver. Position the Toggle Flat Washers (G) first and then Toggle Nuts (H) onto the exposed threaded portions of each Toggle Bolts (E), then tighten each nut until tight.



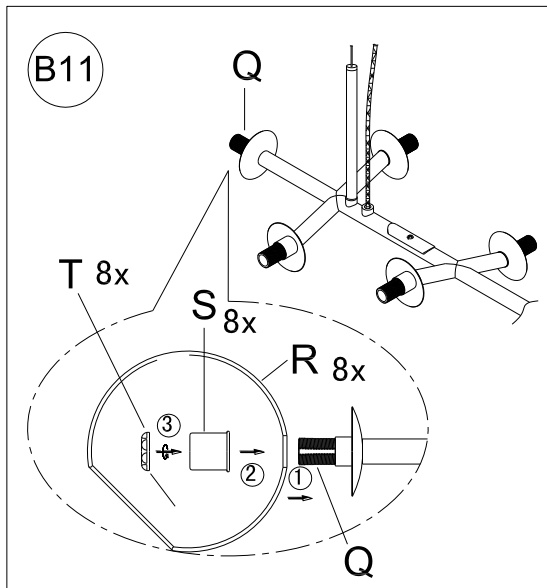
8. Please read the section "To Make the Wire Connections" Below.



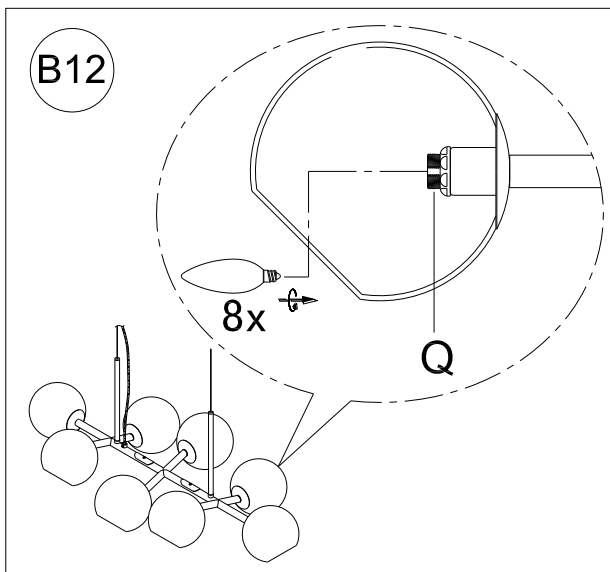
9. Raise Canopy (I) up over the Mounting Plate (D), align the holes in the Mounting Plate (D) with the holes on the side of the Canopy (I). Insert the 4 Canopy Screws (J) and **tighten each screw with a screwdriver until secure.**



10. Unscrew each Socket Ring (T) from each Socket (Q) and remove Metal Spacers (S).



11. Position the Glass Shades (R) onto the Sockets (Q). Place the Metal Spacers (S) over the Sockets (Q) first and then attach the Socket Rings (T) to secure the Glass Shades (R) in place. Do not over tighten.

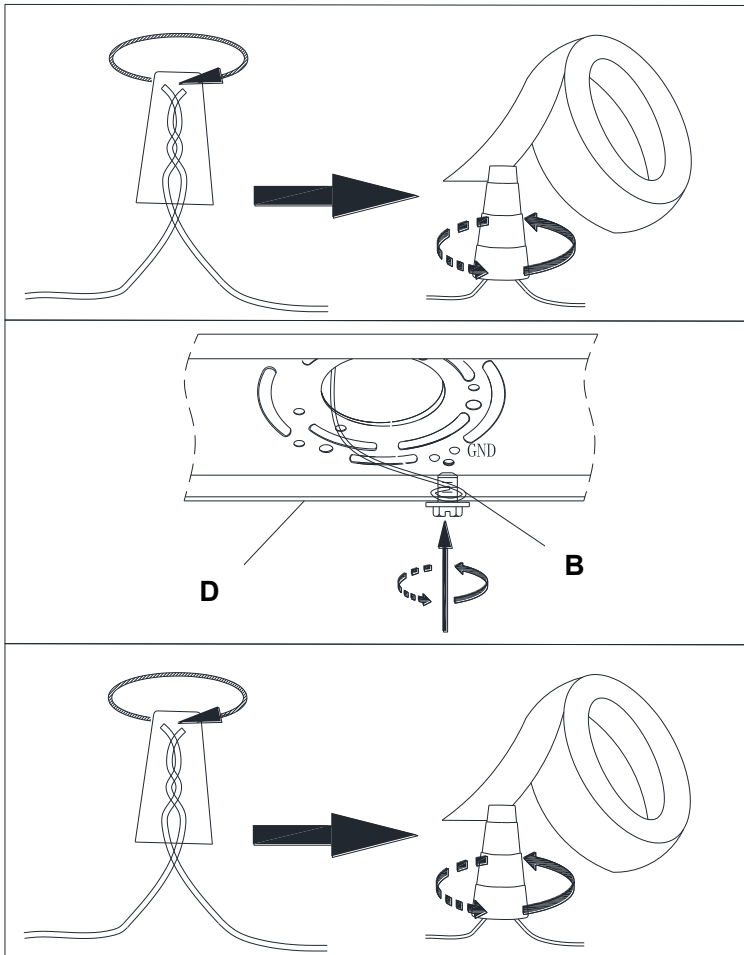


12. Insert the specified light bulbs into the Sockets (Q). DO NOT EXCEED THE SPECIFIED WATTAGE.



## To Make the Wire Connections:

1. Gently pull the wiring from the ceiling junction box and allow wires to hang. The HOT or LIVE wire is usually black. The NEUTRAL wire is usually white. Check to see if there is a ground wire that is usually green or green with a yellow stripe or exposed copper metal wire. If need, use a pair of wire strippers to remove about 1/2 inch of insulation from each wire.
2. Carefully inspect the pendant's fixture wires. The NEUTRAL FIXTURE WIRE is White. The HOT FIXTURE WIRE is Black. And the GROUND WIRE is Green. If you have any doubt and cannot identify the power-supply wires with confidence, then we recommend that you ask an electrician and that you not continue with the installation.
3. With the help of another person to hold the weight of the fixture, attach the fixture wires to the junction box wires as shown in the illustrations.



Connect the GROUND FIXTURE WIRE to the GROUND J-BOX WIRE using the Plastic Wire Nut Connector (A) and wrap the connection with electrical tape. Be sure that no wire strands are exposed.

---

If the junction box DOES NOT have a GROUND WIRE, wrap the fixture's bare ground wire around the Green Ground Screw (B) and insert the screw into the Mounting Plate (D), marked as "GND", and tighten screw to secure the wire.

---

Connect the NEUTRAL FIXTURE WIRE to the NEUTRAL J-BOX WIRE first and then connect the HOT FIXTURE WIRE to the HOT J-BOX WIRE using the Plastic Wire Nut Connectors (A). Wrap these connections with electrical tape. Be sure that no wire strands are exposed.

### NOTE:

**IT IS IMPERATIVE THAT THE JUNCTION BOX IN YOUR HOME BE PROPERLY GROUNDED!  
DO NOT REVERSE THE HOT AND NEUTRAL CONNECTIONS OR SAFETY WILL BE COMPROMISED.**

4. Check the wiring connections and if all looks good, gently tuck the wire connections neatly into the ceiling junction box

### Care Instructions:

- Wipe clean with a soft, dry cloth or static duster.
- Always avoid the use of harsh chemicals or abrasive cleaners as they may cause damage the fixture's finish.

Thank you for your purchase  
Stores | catalog | [www.westelm.com](http://www.westelm.com)  
USA 888-922-4119